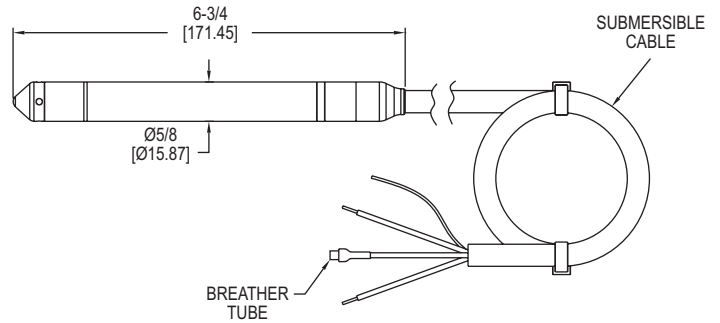


MINIATURE SUBMERSIBLE LEVEL TRANSMITTER

Only 0.63" (16 mm) in Diameter, Perfect for Wells and Boreholes, Low Power Models for Telemetry Systems



The Series MBLT Miniature Submersible Level Transmitter measures the height of liquid above the position in the tank referenced to atmospheric pressure. The transmitter consists of a piezoresistive sensing element, encased in a 0.63" (16 mm) diameter 316 SS housing.

FEATURES/BENEFITS

- Slender 0.63" (16 mm) diameter design fits in narrow openings
- Constructed for years of trouble free service with welded 316 SS body and 316 SS nose cap
- Body top is 316 SS and tapered to prevent damage or snares when pulling the unit out of the installation
- ±0.10% or ±0.25% FS accuracy output is more precise than BFSL or BSL rated outputs used by most competitors
- Maintenance free filter eliminates particulate or water droplets from entering the transducer
- Comes with a choice of polyether polyurethane or ETFE cable materials for excellent chemical compatibility
- Incorporates lightning and surge protection, eliminating both power supply surges and lightning ground strike transients (surge protection is not guaranteed and is not covered by warranty)

APPLICATIONS

- Ballast tanks
- Ground water monitoring
- Surface water monitoring
- Dewatering
- Down hole
- Remote telemetry
- Remote flood monitoring
- Narrow conduit or pipe installations
- Remediation and environmental monitoring

SPECIFICATIONS

<p>Service: Compatible liquids.</p> <p>Wetted Materials: Body and nose: 316 SS; Cable: Polyether polyurethane or ETFE; Seals: Fluoroelastomer; Label: Polyolefin.</p> <p>Accuracy: ±0.25% or ±0.10% FS**.</p> <p>Temperature Limits: -4 to 176°F (-20 to 80°C).</p> <p>Compensated Temperature Limits: 0.25%: (0 to 70°C); 0.10%: (0 to 60°C).</p> <p>Thermal Effect: 0.25%: ±0.45% FS TEB; 0.10%: ±0.30% FS TEB.</p> <p>Pressure Limit: 2x FS.</p> <p>Power Requirements: Current output: 10 to 33 VDC; Voltage output: 8 to 33 VDC; 5 mA max (no load).</p>	<p>Output Signal: 4 to 20 mA DC 2-wire or 0 to 5 V* (model depending).</p> <p>Response Time: < 50 ms.</p> <p>Max Loop Resistance: 1000 Ω @ 30 VDC (current output).</p> <p>Voltage Output Impedance: 10 Ω + 4.4 Ω / 100' cable (voltage output).</p> <p>Electrical Connections: Wire pigtail.</p> <p>Mounting Connection: Suspended below point being monitored.</p> <p>Electrical Protection: Surge/lightning protected per EN61000-4-5, Class 5.</p> <p>Weight: Body: 0.235 lb (0.107 kg); Cable: 0.037 lb (0.017 kg) per foot.</p> <p>Agency Approvals: CE.</p>
---	--

*Consult factory for additional outputs.

**4.3 to 4.9 psi (10 to 11.54 in w.c.) configured ranges ±0.30% FS accuracy

OPTIONS

For custom ranges, cable lengths, or ETFE cable, contact the website for pricing.

ACCESSORIES

Model	Description	Price
A-297	Dessicant filter for vent tube. Removes humidity for protection of the sensor. Changes color to show saturation	\$20.00



A-297

MODEL CHART

4 to 20 mA output Model ±0.10%	Price	4 to 20 mA output Model ±0.25%**	0 to 5 V output Model ±0.25%**	Price	Range psi (' w.c.) [m w.c.]	Cable Length	Cable Type
-	-	MBLT-2SC-IVPP-5-40	MBLT-2SC-VVPP-5-40	\$468.00	5 (11.54) [3.52]	40'	Polyether polyurethane
-	-	MBLT-2SC-IVPF-15-40	MBLT-2SC-VVPP-15-40	468.00	6.50 (15) [4.57]	40'	Polyether polyurethane
-	-	MBLT-2SC-IVPM-5-12.2	MBLT-2SC-VVPM-5-12.2	469.70	7.10 (16.40) [5]	12.2 m	Polyether polyurethane
-	-	MBLT-2SC-IVPM-10-30**	MBLT-2SC-VVPM-10-30**	568.30	14.22 (32.84) [10]	9.14 m	Polyether polyurethane
MBLT-2SB-IVPF-20-40	\$575.00	MBLT-2SC-IVPF-20-40	MBLT-2SC-VVPP-20-40	468.00	8.66 (20) [6.10]	40'	Polyether polyurethane
MBLT-2SB-IVPF-30-50	592.00	MBLT-2SC-IVPF-30-50	MBLT-2SC-VVPP-30-50	485.00	12.99 (30) [9.14]	50'	Polyether polyurethane
MBLT-2SB-IVPM-10-15.2	592.00	MBLT-2SC-IVPM-10-15.2	MBLT-2SC-VVPM-10-15.2	485.00	14.21 (32.81) [10]	15.2 m	Polyether polyurethane
MBLT-2SB-IVPF-50-70	626.00	MBLT-2SC-IVPF-50-70	MBLT-2SC-VVPP-50-70	519.00	21.65 (50) [15.24]	70'	Polyether polyurethane
MBLT-2SB-IVPM-20-26	653.20	MBLT-2SC-IVPM-20-26	MBLT-2SC-VVPM-20-26	546.20	28.42 (65.62) [20]	26 m	Polyether polyurethane
MBLT-2SB-IVPM-30-36	709.30	MBLT-2SC-IVPM-30-36	MBLT-2SC-VVPM-30-36	602.30	42.63 (98.43) [30]	36 m	Polyether polyurethane
MBLT-2SB-IVPF-100-120	711.00	MBLT-2SC-IVPF-100-120	MBLT-2SC-VVPP-100-120	604.00	43.31 (100) [30.48]	120'	Polyether polyurethane
MBLT-2SB-IVPM-40-46	763.70	MBLT-2SC-IVPM-40-46	MBLT-2SC-VVPM-40-46	656.70	56.83 (131.23) [40]	46 m	Polyether polyurethane
MBLT-2SB-IVPF-150-170	796.00	MBLT-2SC-IVPF-150-170	MBLT-2SC-VVPP-150-170	689.00	64.96 (150) [45.72]	170'	Polyether polyurethane
MBLT-2SB-IVPM-60-66	875.90	MBLT-2SC-IVPM-60-66	MBLT-2SC-VVPM-60-66	768.90	85.25 (196.85) [60]	66 m	Polyether polyurethane
MBLT-2SB-IVPF-200-220	881.00	MBLT-2SC-IVPF-200-220	MBLT-2SC-VVPP-200-220	774.00	86.62 (200) [60.96]	220'	Polyether polyurethane
MBLT-2SB-IVPM-350-370	1136.00	MBLT-2SC-IVPM-350-370	MBLT-2SC-VVPM-350-370	1029.00	151.58 (350) [106.68]	370'	Polyether polyurethane
MBLT-2SB-IVPM-100-106	1098.60	MBLT-2SC-IVPM-100-106	MBLT-2SC-VVPM-100-106	991.60	142.09 (328.08) [100]	106 m	Polyether polyurethane
MBLT-2SB-IVPM-200-206	1656.20	MBLT-2SC-IVPM-200-206	MBLT-2SC-VVPM-200-206	1549.20	284.18 (656.17) [200]	206 m	Polyether polyurethane
MBLT-2SB-IVPF-690-710	1714.00	MBLT-2SC-IVPF-690-710	MBLT-2SC-VVPP-690-710	1607.00	298.83 (690) [210.31]	710'	Polyether polyurethane

**4.3 to 4.9 psi (10 to 11.54 in w.c.) configured ranges ±0.30% FS accuracy