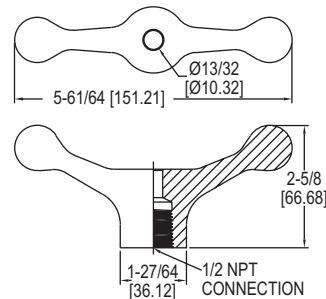
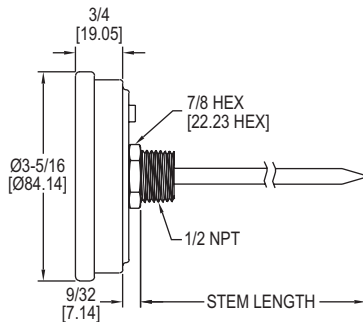


## SERIES BTLRN

## LONG REACH BIMETAL THERMOMETER

Extra-long Stems Reach Remote Areas, Gripping Handle Available



The **Series BTLRN Long Reach Bimetal Thermometer** reaches areas that other thermometers can't. A gripping handle is available as an accessory to comfortably hold the thermometer during temporary installations.

## FEATURES/BENEFITS

- Stem lengths from 12" to 72"

## APPLICATIONS

- Large container monitoring
- Duct temperature measurement

## MODEL CHART

Model	Stem Length	Range*
BTLRN312101	12"	0 to 200°F
BTLRN318101	18"	0 to 200°F
BTLRN324101	24"	0 to 200°F
BTLRN336101	36"	0 to 200°F
BTLRN348101	48"	0 to 200°F
BTLRN360101	60"	0 to 200°F
BTLRN372101	72"	0 to 200°F

\*Dual scale units available by changing last digit to D. **Example:** BTLRN31210D

## ACCESSORIES

Model	Description
BTLR-GH	Gripping handle

## SPECIFICATIONS

**Wetted Materials:** 304 SS.

**Housing Materials:** Series 300 SS.

**Lens:** Glass.

**Accuracy:** ±1%.

**Temperature Limits:** Ambient: -40 to 392°F (-40 to 200°C).

**Dial Size:** 3".

**Process Connection:** 1/2" NPT.

**Resolution:** 2°F (1°C).

**Weight:** 1.0 lb (0.45 kg).