

DIFFERENTIAL PRESSURE TRANSMITTERS

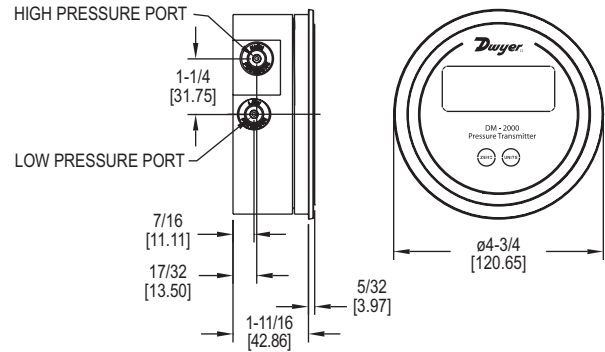
Same Size as Standard Magnehelic® Differential Pressure Gage



DM-2000-LCD



DM-2100-LCD



The Dwyer Series DM-2000 Differential Pressure Transmitters sense the pressure of air and compatible gases and sends a standard 4-20 mA output signal. The DM-2000 housing is specifically designed to mount in the same diameter cutout as a standard Magnehelic® gage. A wide range of models are available factory calibrated to specific ranges.

Pressure connections are inherent to the glass filled plastic molded housing making installation quick and easy. Digital push-button zero and span simplify calibration over typical turn-potentiometers. An optional 3.5 digit LCD shows process and engineering units. A single push-button allows field selection of 4 to 6 engineering units depending on range.

FEATURES/BENEFITS

- Zero and span controls provide easy calibration checks and shorter installation time to get device running and monitoring
- Quick response to pressure changes means no delay in signaling and alerting to critical situations
- Easy to read LCD display provides immediate local alerts allowing corrective action to be taken quicker to eliminate the problem from becoming widespread
- Same size as Magnehelic® simplifies field upgrade to digital pressure gage by reducing install steps
- Tamper proof button configuration to prevent accidental changes to the settings

APPLICATIONS

- Differential pressure across filters
- Fan control
- Static pressures in ducts or buildings

| MODEL CHART | | | | | | |
|-------------|-----------------|-------------|-------------|-------------|-------|------|
| Model | Range (in w.c.) | Pa | mm w.c. | mBar | kPa | psi |
| DM-2001-LCD | 0 to .100 | 24.9 | 2.54 | .249 | - | - |
| DM-2002-LCD | 0 to .250 | 62.2 | 6.35 | .622 | - | - |
| DM-2003-LCD | 0 to .500 | 124.3 | 12.70 | 1.243 | .124 | - |
| DM-2004-LCD | 0 to 1.000 | 249 | 25.4 | 2.49 | .249 | - |
| DM-2005-LCD | 0 to 2.00 | 497 | 50.8 | 4.97 | .497 | - |
| DM-2006-LCD | 0 to 3.00 | 746 | 76.2 | 7.46 | .746 | .108 |
| DM-2007-LCD | 0 to 5.00 | 1243 | 127.0 | 12.43 | 1.243 | .180 |
| DM-2012-LCD | 0 to ±.250 | 0 to ±62.2 | 0 to ±6.35 | 0 to ±.622 | - | - |
| DM-2013-LCD | 0 to ±.500 | 0 to ±124.3 | 0 to ±12.70 | 0 to ±1.243 | - | - |
| DM-2019-LCD | 0 to ±.200 | 0 to ±49.8 | 0 to ±5.08 | 0 to ±.498 | - | - |

Note: For white overlay change -20 to -21. **Example:** DM-2102-LCD

| ACCESSORIES | |
|-------------|--|
| Model | Description |
| A-299 | Surface mounting bracket |
| A-300 | Flat flush mounting bracket |
| A-302F-A | 303 SS static pressure tip with mounting flange; for 3/16" ID rubber or plastic tubing; 4" insertion depth; includes mounting screws |
| A-320-A | Instrument enclosure |
| A-489 | 4" straight static pressure tip with flange |
| SCD-PS | 100-240 VAC/VDC to 24 VDC power supply |

| OPTIONS | |
|----------------------------------|--|
| To order add suffix: | Description |
| -NIST | NIST traceable calibration certificate |
| Example: DM-2002-LCD-NIST | |
| -FC | Factory calibration certificate |
| Example: DM-2002-LCD-FC | |

SPECIFICATIONS

- Service:** Air and non-combustible, compatible gases.
- Wetted Materials:** Consult factory.
- Accuracy:** ±1% FS, ±30 Pa model ±4% FS at 70°F.
- Stability:** ±1% FS/yr.
- Temperature Limits:** 20 to 120°F (-6.67 to 48.9°C).
- Pressure Limits:** 10 psig (0.69 bar).
- Thermal Effect:** ±0.055% FS/°F (0.099% FS/°C), ±30 Pa model ±0.13% FS/°F (0.234% FS/°C).
- Power Requirements:** 10-35 VDC (2 wire).
- Output Signal:** 4-20 mA.
- Zero and Span Adjustments:** Digital push-button zero and span.
- Loop Resistance:** DC: 0 to 1250 Ω maximum.
- Current Consumption:** DC: 38 mA max.
- Electrical Connections:** Screw-type terminal block.
- Display:** 3.5 digit LCD, 0.7" H.
- Process Connections:** 1/8" ID tubing.
- Mounting Orientation:** Vertical.
- Weight:** 4.8 oz (136 g).