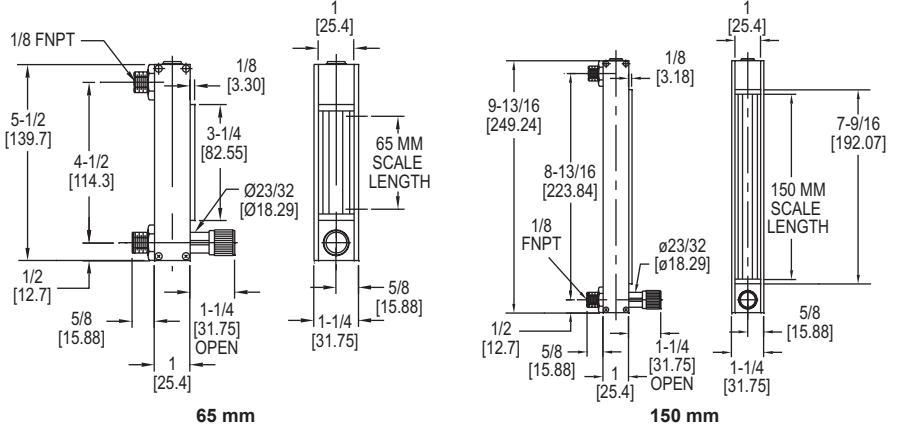


DIRECT READING GLASS FLOWMETERS

65 mm and 150 mm, Interchangeable Flowtubes, Direct Reading Scales



Panel mounting: Drill two 5/8" dia. holes at 4.5" apart for 65mm models and 8.812" apart for 150 mm models (center-to-center).

The **Series DR Direct Reading Glass Flowmeters** are ideal for the direct flow measurement of air, water, and other commonly used gases. These flowmeters are designed with direct read scales with no need for correlation charts. They feature borosilicate glass tubes in 150 mm or 65 mm scales with aluminum and SS metering valve options.

FEATURES/BENEFITS

- Permanently fused ceramic scale with vertical locator line, reflective lens background and 1.5 X magnification lens reduces parallax and eye fatigue saving time
- Long operating life with thick polycarbonate front shield that protects tube from breakage and serves as a magnifying lens to enhance reading resolution
- Optional needle valve for flow rate control eliminating the need for a separate valve reducing cost
- Increased protection with included safety blow-out back panel for added safety

APPLICATIONS

- Gas or liquid metering
- Paper manufacturing
- Chemical processing
- Semiconductor systems
- Water and air pollution analysis systems
- Laboratory systems

SPECIFICATIONS

Service: Compatible gases or liquids.
Wetting Materials: Flowtube: Borosilicate glass; Float: 316 SS (black glass as indicated); Float stops: PTFE; End fittings: Anodized aluminum or 316 SS; O-rings: Buna-N on aluminum models and fluoroelastomer on SS models.
Temperature Limit: 250°F (121°C).
Pressure Limit: 250 psig (17 bar).
Accuracy: ±5% FS @ 70°F (21.1°C) and 14.7 psia (1 atm absolute).
Repeatability: ±0.25% of scale reading.
Scales: Direct reading 65 mm or 150 mm scales for air or water.
Turn-Down Ratio: 10:1.
Connection: 1/8" female NPT.
Mounting: Vertical.
Valve: 6-tum needle (standard on models with valve).

Flowmeters, Variable Area & In-Line

| MODEL CHART - 65 MM SCALE | | | | |
|---------------------------|----------|------------------|----------|-----------------|
| Model Without Valve | | Model With Valve | | Max. Flow Rate |
| Aluminum | SS | Aluminum | SS | Air SCFH (SCCM) |
| DR10010* | DR12010* | DR10410* | DR12410* | 0.24 (130†) |
| DR10022 | DR12022 | DR10422 | DR12422 | 0.65 (300†) |
| DR10030* | DR12030* | DR10430* | DR12430* | 1.1 (500†) |
| DR10042 | DR12042 | DR10442 | DR12442 | 2.2 (1000†) |

Note: Add suffix "M" for metric scale. *Denotes glass float.
 †Metric models use ccm as unit of measure for water & LPM for air.

| MODEL CHART - 65 MM SCALE | | | | |
|---------------------------|----------|------------------|----------|------------------|
| Model Without Valve | | Model With Valve | | Max. Flow Rate |
| Aluminum | SS | Aluminum | SS | Air SCFH (L/min) |
| DR10062 | DR12062 | DR10462 | DR12462 | 5.6 (2.1) |
| DR10070* | DR12070* | DR10470* | DR12470* | 11 (5) |
| DR10082 | DR12082 | DR10482 | DR12482 | 20 (9.5) |
| DR10090* | DR12090* | DR10490* | DR12490* | 55 (24) |
| DR100102 | DR120102 | DR104102 | DR124102 | 100 (50) |

Note: Add suffix "M" for metric scale. *Denotes glass float.

| MODEL CHART - 65 MM SCALE | | | | |
|---------------------------|-----------|------------------|-----------|------------------|
| Model Without Valve | | Model With Valve | | Max. Flow Rate |
| Aluminum | SS | Aluminum | SS | Water GPH (SCCM) |
| DR100120* | DR120120* | DR104120* | DR124120* | 0.02 (1.5) |
| DR100132 | DR120132 | DR104132 | DR124132 | 0.1 (6.5) |
| DR100140* | DR120140* | DR104140* | DR124140* | 0.13 (8) |
| DR100152 | DR120152 | DR104152 | DR124152 | 0.36 (24) |
| DR100172 | DR120172 | DR104172 | DR124172 | 0.9 (55) |
| DR100180* | DR120180* | DR104180* | DR124180* | 2.2 (140) |
| DR100192 | DR120192 | DR104192 | DR124192 | 4.4 (280) |
| DR100200* | DR120200* | DR104200* | DR124200* | 10 (600) |
| DR100212 | DR120212 | DR104212 | DR124212 | 24 (1500) |

Note: Add suffix "M" for metric scale. *Denotes glass float.

| MODEL CHART - 150 MM SCALE | | | | |
|----------------------------|----------|------------------|----------|-----------------|
| Model Without Valve | | Model With Valve | | Max. Flow Rate |
| Aluminum | SS | Aluminum | SS | Air SCFH (SCCM) |
| DR20032 | DR22032 | DR20432 | DR22432 | 0.33 (160) |
| DR20082 | DR22082 | DR20482 | DR22482 | 0.54 (270) |
| DR200132 | DR220132 | DR204132 | DR224132 | 2 (840) |

Note: Add suffix "M" for metric scale.

| MODEL CHART - 150 MM SCALE | | | | |
|----------------------------|----------|------------------|----------|------------------|
| Model Without Valve | | Model With Valve | | Max. Flow Rate |
| Aluminum | SS | Aluminum | SS | Air SCFH (L/min) |
| DR200182 | DR220182 | DR204182 | DR224182 | 3.8 (1.8) |
| DR200232 | DR220232 | DR204232 | DR224232 | 10 (4.8) |
| DR200282 | DR220282 | DR204282 | DR224282 | 16 (7.5) |
| DR200332 | DR220332 | DR204332 | DR224332 | 35 (16) |
| DR200382 | DR220382 | DR204382 | DR224382 | 90 (44) |

Note: Add suffix "M" for metric scale.

| MODEL CHART - 150 MM SCALE | | | | |
|----------------------------|----------|------------------|----------|------------------|
| Model Without Valve | | Model With Valve | | Max. Flow Rate |
| Aluminum | SS | Aluminum | SS | Water GPH (SCCM) |
| DR200432 | DR220432 | DR204432 | DR224432 | 0.05 (3.2) |
| DR200482 | DR220482 | DR204482 | DR224482 | 0.075 (4.6) |
| DR200532 | DR220532 | DR204532 | DR224532 | 0.34 (21) |
| DR200582 | DR220582 | DR204582 | DR224582 | 0.75 (46) |
| DR200632 | DR220632 | DR204632 | DR224632 | 2.2 (140) |
| DR200682** | DR220682 | DR204682** | DR224682 | 3.6 (230) |
| DR200732 | DR220732 | DR204732 | DR224732 | 7.5 (480) |
| DR200782 | DR220782 | DR204782 | DR224782 | 21 (1300) |

Note: Add suffix "M" for metric scale. **Not available in metric scale.

OPTIONS

| Use order code: | Description |
|-----------------|--|
| NISTCAL-FL1 | NIST traceable calibration certificate |