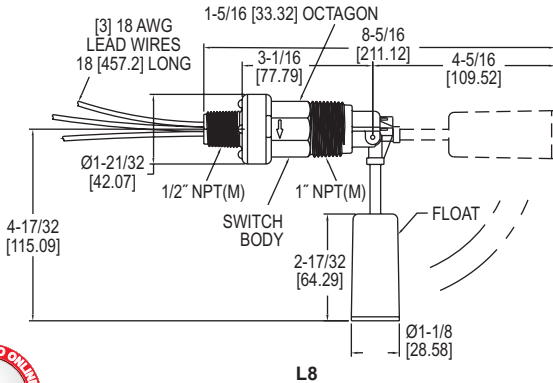
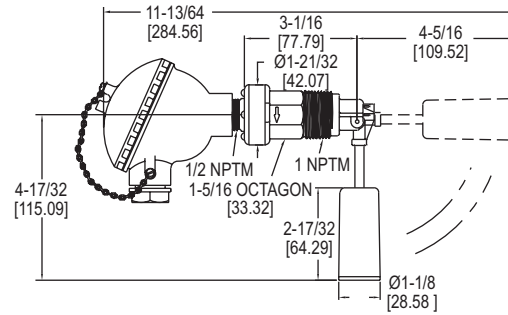


FLOTECT® LIQUID LEVEL SWITCHES

Low Cost, Leak Proof Body, Excellent Chemical Resistance



L8



L8-WP2



The **Model L8 Flotect® Liquid Level Switches** are float switches constructed of polyphenylene sulfide, Ceramic 8 and 316 SS. This liquid level switch provides accurate set point control of liquids with specific gravities as low as 0.6.

FEATURES/BENEFITS

- Features a leak proof body and float constructed from tough, durable polyphenylene sulfide which has excellent chemical resistance
- Liquid level snap switch is magnetically actuated with no direct mechanical linkage to leak or fail, assuring longer life and decreased maintenance costs
- Quick and easy installation with simple placement of the unit in a horizontal position with the index arrow pointing down
- UL recognized as an industrial motor controller per UL standard 508, suitable for mounting in a protected environment

APPLICATIONS

- Environmental control
- Waste water
- Scrubber systems
- Holding tanks
- Cooling towers
- Chemical/petroleum processing
- Plating and washing tanks
- Sewage treatment
- Car washes
- Remediation systems
- Thermal storage systems
- HVAC and building automation systems

SPECIFICATIONS

Service: Compatible liquids.
Wetted Materials: Float and body: Polyphenylene sulfide (PPS); Pin and spring: 316 SS or Inconel®; Magnet: Ceramic 8.
Temperature Limit: 212°F (100°C).
Pressure Limit: 150 psig (10.34 bar).
Enclosure Rating: General purpose. WP/WP2 option is weatherproof.
Switch Type: SPDT snap switch. MV option is a SPDT gold contact snap switch.
Electrical Rating: 5 A @ 125/250 VAC, 5 A resistive, 3 A inductive @ 30 VDC. MV option: 1 A @ 125 VAC, 1 A resistive, 0.5 A inductive @ 30 VDC.
Electrical Connections: 18 AWG, 18" (460 mm) long.
Conduit Connection: 1/2" male NPT, 1/2" female NPT on WP and WP2.
Process Connection: 1" male NPT.
Mounting Orientation: Horizontal with index arrow pointing down.
Weight: 5 oz (0.142 kg).
Specific Gravity: 0.6 minimum.
Agency Approvals: CE, cURus.

MODEL CHART		
Model	Description	Price
L8	Level switch	\$72.00

OPTIONS		
To order add suffix:	Description	Price
-MV	Gold plated contacts for dry circuits. Rated 1 A @ 125 VAC; 1 A resistive, 0.5 A inductive @ 30 VDC	+\$14.00
Example: L8-MV		
-INC	Inconel® alloy. Inconel® alloy replaces standard 316 SS wetted parts. Wetted parts are Inconel® Alloy, Ceramic 8, and Polyphenylene Sulfide.	+27.50
Example: L8-INC		
-WP	Weatherproof enclosure. Optional housing is phenylpolioxide and provides weatherproof protection for electrical wiring. (Not UL approved)	+26.50
Example: L8-WP		
-WP2	Weatherproof enclosure. Optional housing is aluminum and provides weatherproof protection for electrical wiring. (Not UL approved)	+26.50
Example: L8-WP2		

Inconel® is a registered trademark of Huntington Alloys Corporation