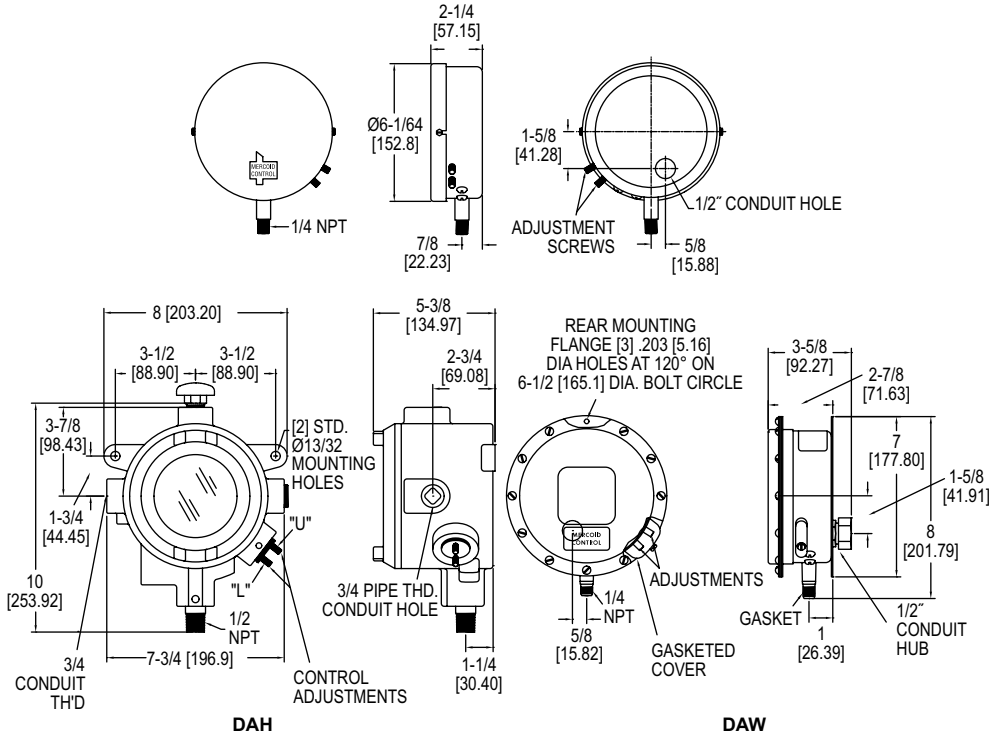
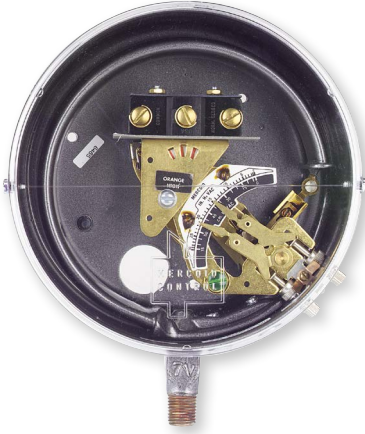


BOURDON TUBE PRESSURE SWITCHES

Pressure Ranges to 8000 psi (551.6 bar)



Customers tell us that the **SERIES DA/DS** are the best pressure switches made. The Mercoid D Series is one of the world's broadest lines of pressure switches. The D Series has extremely high sensitivity and great repeatability. The DA Models are equipped with two external adjustments, one for setting high pressure operating point, the other for setting low pressure operating point. Deadband, the difference between high and low setpoints, is adjustable over the full-scale. The DS Models are equipped with a single external adjustment for setting operating point only. For mercury-free switches, choose between the snap action switch or hermetically sealed snap action switch. Hermetically sealed mercury switch also available.

FEATURES/BENEFITS

- Visible calibrated dial provides an easy and fast check without having to open device causing dangerous conditions to operators
- On/off indication (except hermetically sealed snap switch models) gives operator clear indication of state of switched equipment that could be located in another location
- Adjustable or fixed deadband supports control applications by reducing equipment wear-out by unnecessary recycling
- External switch set-point adjustment reduces set-up time
- Pressure ranges of full vacuum to 8000 psig gives application designers the ability to specify standard equipment, simplifying install and training, and reducing servicing costs
- UL listed, CSA approved, many models FM approved to support rigorous process applications and regulations
- General purpose, weatherproof or explosion-proof enclosures for a variety of indoor or outdoor environments meeting the needs of multiple applications and uses

APPLICATIONS

- Compressors
- Mechanical HVAC or process equipment
- Pump control

SPECIFICATIONS

Wetted Materials: Brass, 403 SS, or 316 SS.

Temperature Limit: 180°F (82°C).

Pressure Limit: Maximum pressure of the operating range.

Enclosure Rating: General purpose, weatherproof or explosion-proof.

Repeatability: ±1% of full operating range, ±1.5% on DS-7300 models.

Switch Type: SPST mercury switch, SPDT mercury switch, SPDT snap switch, or SPDT hermetically sealed snap switch. Other circuit types available.

Electrical Rating: See model charts.

Electrical Connections: Screw terminal.

Conduit Connection: General purpose: 1/2" hole for conduit hub; Weatherproof: 1/2" conduit hub; Explosion-proof: 3/4" female NPT.

Process Connection: General purpose and weatherproof: 1/4" male NPT, 1/2" male NPT on ranges 15S and 16S; Explosion-proof: 1/2" male NPT and 1/4" female NPT.

Mounting Orientation: Vertical.

Set Point Adjustment: Thumbscrew.

Weight: General purpose: 4 lb (1.8 kg); Weatherproof: 6 lb (2.7 kg); Explosion-proof: 8 lb (3.5 kg).

Deadband: See model chart.

Agency Approvals: CE, CSA, FM, UL (mercury switch units are not CE approved) (Consult factory for FM approved models).

BOURDON TUBE PRESSURE SWITCHES

Pressure Ranges to 8000 psi (551.6 bar)

MODEL CHART - D SERIES PRESSURE SWITCH WITH SNAP ACTION SWITCH AND GENERAL PURPOSE ENCLOSURE										
Bourdon Tube Material	Adjustable Operating Range (psig)	Adjustable Deadband SPDT: 10 A @ 120/240 VAC			Fixed Deadband SPDT: 15 A @ 120/240 AC			Hermetically Sealed, Fixed Deadband SPDT: 5 A @ 120/240 VAC, 5 A res. @ 30 VDC		
		Minimum Deadband (psig)	Model	Price	Fixed	Model	Price	Fixed	Model	Price
Brass	0 to 30" Hg VAC	13.5" Hg	DA-7031-153-2	\$350.00	3" Hg	DS-7231-153-2	\$350.00	5" Hg	DS-7331-153-2	\$523.00
Brass	10" Hg VAC to 12	6	DA-7031-153-3	350.00	1.5	DS-7231-153-3	350.00	3	DS-7331-153-3	523.00
Brass	25" Hg VAC to 50	12	DA-7031-153-27	350.00	2.5	DS-7231-153-27	350.00	3.75	DS-7331-153-27	523.00
Brass	1/8 to 15	6	DA-7031-153-1	350.00	1.5	DS-7231-153-1	350.00	3	DS-7331-153-1	523.00
Brass	1/8 to 20	6	DA-7031-153-3A	350.00	1.5	DS-7231-153-3A	350.00	3	DS-7331-153-3A	523.00
Brass	1 to 35	7.5	DA-7031-153-4	350.00	1.5	DS-7231-153-4	350.00	3	DS-7331-153-4	523.00
Brass	2 to 60	9	DA-7031-153-5	350.00	2	DS-7231-153-5	350.00	3	DS-7331-153-5	523.00
Brass	5 to 100	13.5	DA-7031-153-6	350.00	2.5	DS-7231-153-6	350.00	3.75	DS-7331-153-6	523.00
Brass	5 to 150	24	DA-7031-153-7	350.00	3	DS-7231-153-7	350.00	5.25	DS-7331-153-7	523.00
Brass	10 to 200	24	DA-7031-153-8	387.00	4	DS-7231-153-8	387.00	6.75	DS-7331-153-8	560.00
Brass	10 to 300	37.5	DA-7031-153-9	387.00	5	DS-7231-153-9	387.00	9	DS-7331-153-9	560.00
403 stainless steel	30" Hg VAC to 60	18	DA-7021-153-25S	471.00	3.5	DS-7221-153-25S	471.00	5.25	DS-7321-153-25S	644.00
403 stainless steel	30" Hg VAC to 75	22.5	DA-7021-153-26S	471.00	3.5	DS-7221-153-26S	471.00	5.25	DS-7321-153-26S	644.00
403 stainless steel	2 to 60	13.5	DA-7021-153-5S	471.00	3	DS-7221-153-5S	471.00	4.5	DS-7321-153-5S	644.00
403 stainless steel	5 to 100	19.5	DA-7021-153-6S	471.00	3.5	DS-7221-153-6S	471.00	5.25	DS-7321-153-6S	644.00
403 stainless steel	10 to 200	22.5	DA-7021-153-8S	471.00	4	DS-7221-153-8S	471.00	7.125	DS-7321-153-8S	644.00
403 stainless steel	10 to 300	28.5	DA-7021-153-9S	537.00	6	DS-7221-153-9S	537.00	10.5	DS-7321-153-9S	710.00
403 stainless steel	40 to 350	30	DA-7021-153-9AS	537.00	6	DS-7221-153-9AS	537.00	10.5	DS-7321-153-9AS	710.00
403 stainless steel	25 to 600	67.5	DA-7021-153-10S	537.00	10	DS-7221-153-10S	537.00	18	DS-7321-153-10S	710.00
403 stainless steel	50 to 1000	142.5	DA-7021-153-11S	676.00	20	DS-7221-153-11S	676.00	33	DS-7321-153-11S	849.00
403 stainless steel	100 to 1500	195	DA-7021-153-12S	716.00	30	DS-7221-153-12S	716.00	52.5	DS-7321-153-12S	889.00
403 stainless steel	300 to 2500	390	DA-7021-153-13S	716.00	60	DS-7221-153-13S	716.00	90	DS-7321-153-13S	889.00
403 stainless steel	500 to 5000	1350	DA-7021-153-15S	730.00	200	DS-7221-153-15S	730.00	300	DS-7321-153-15S	903.00
403 stainless steel	800 to 8000	2250	DA-7021-153-16S	730.00	500	DS-7221-153-16S	730.00			
316 stainless steel	30" Hg VAC to 75	15	DA-7041-153-26E	509.00	3.5	DS-7241-153-26E	509.00	5.25	DS-7341-153-26E	682.00
316 stainless steel	5 to 75	12	DA-7041-153-23E	509.00	4	DS-7241-153-23E	509.00	6	DS-7341-153-23E	682.00
316 stainless steel	10 to 100	15	DA-7041-153-6E	509.00	3.5	DS-7241-153-6E	509.00	5.25	DS-7341-153-6E	682.00
316 stainless steel	10 to 150	16.5	DA-7041-153-24E	509.00	4	DS-7241-153-24E	509.00	6.75	DS-7341-153-24E	682.00
316 stainless steel	10 to 300	42	DA-7041-153-9E	509.00	8	DS-7241-153-9E	509.00	12	DS-7341-153-9E	682.00
316 stainless steel	30 to 400	78	DA-7041-153-21E	560.00	10	DS-7241-153-21E	560.00	18	DS-7341-153-21E	733.00
316 stainless steel	75 to 800	180	DA-7041-153-22E	630.00	25	DS-7241-153-22E	630.00	37.5	DS-7341-153-22E	803.00
316 stainless steel	100 to 1000	285	DA-7041-153-11E	715.00	35	DS-7241-153-11E	715.00	52.5	DS-7341-153-11E	888.00
316 stainless steel	200 to 2500	600	DA-7041-153-13E	715.00	75	DS-7241-153-13E	715.00	112.5	DS-7341-153-13E	888.00

MODEL CHART - D SERIES PRESSURE SWITCH WITH MERCURY SWITCH AND GENERAL PURPOSE ENCLOSURE

Bourdon Tube Material	Adjustable Operating Range (psig)	Adjustable Deadband				Price
		Minimum Deadband (psig)	SPDT 4 A @ 120 V, 2 A @ 240 V AC/DC	SPST Open on Increase 10 A @ 120 V, 5 A @ 240 V AC/DC	SPST Close on Increase 10 A @ 120 V, 5 A @ 240 V AC/DC	
Brass	30" to 0 Hg VAC	2" Hg	DA-31-153-2	DA-31-2-2	DA-31-3-2	\$372.00
Brass	10" Hg VAC to 12	1	DA-31-153-3	DA-31-2-3	DA-31-3-3	372.00
Brass	25" Hg VAC to 50	3.5	DA-31-153-27	DA-31-2-27	DA-31-3-27	372.00
Brass	1/8 to 15	1	DA-31-153-1	DA-31-2-1	DA-31-3-1	372.00
Brass	1/8 to 20	1	DA-31-153-3A	DA-31-2-3A	DA-31-3-3A	372.00
Brass	1 to 35	1.75	DA-31-153-4	DA-31-2-4	DA-31-3-4	372.00
Brass	2 to 60	3	DA-31-153-5	DA-31-2-5	DA-31-3-5	372.00
Brass	5 to 100	3.75	DA-31-153-6	DA-31-2-6	DA-31-3-6	372.00
Brass	5 to 150	6	DA-31-153-7	DA-31-2-7	DA-31-3-7	372.00
Brass	10 to 200	8	DA-31-153-8	DA-31-2-8	DA-31-3-8	411.00
Brass	10 to 300	12	DA-31-153-9	DA-31-2-9	DA-31-3-9	411.00
403 stainless steel	30" Hg VAC to 60	6	DA-21-153-25S	DA-21-2-25S	DA-21-3-25S	499.00
403 stainless steel	30" Hg VAC to 75	8	DA-21-153-26S	DA-21-2-26S	DA-21-3-26S	499.00
403 stainless steel	2 to 60	4	DA-21-153-5S	DA-21-2-5S	DA-21-3-5S	499.00
403 stainless steel	5 to 100	6	DA-21-153-6S	DA-21-2-6S	DA-21-3-6S	499.00
403 stainless steel	10 to 200	8	DA-21-153-8S	DA-21-2-8S	DA-21-3-8S	499.00
403 stainless steel	10 to 300	14	DA-21-153-9S	DA-21-2-9S	DA-21-3-9S	533.00
403 stainless steel	40 to 350	14	DA-21-153-9AS	DA-21-2-9AS	DA-21-3-9AS	561.00
403 stainless steel	25 to 600	25	DA-21-153-10S	DA-21-2-10S	DA-21-3-10S	561.00
403 stainless steel	50 to 1000	60	DA-21-153-11S	DA-21-2-11S	DA-21-3-11S	703.00
403 stainless steel	100 to 1500	90	DA-21-153-12S	DA-21-2-12S	DA-21-3-12S	755.00
403 stainless steel	300 to 2500	150	DA-21-153-13S	DA-21-2-13S	DA-21-3-13S	755.00
403 stainless steel	500 to 5000	450	DA-21-153-15S	DA-21-2-15S	DA-21-3-15S	763.00
403 stainless steel	800 to 8000	750	DA-21-153-16S	DA-21-2-16S	DA-21-3-16S	763.00
316 stainless steel	30" Hg VAC to 75	7	DA-41-153-26E	DA-41-2-26E	DA-41-3-26E	533.00
316 stainless steel	5 to 75	3	DA-41-153-23E	DA-41-2-23E	DA-41-3-23E	533.00
316 stainless steel	10 to 100	7	DA-41-153-6E	DA-41-2-6E	DA-41-3-6E	533.00
316 stainless steel	10 to 150	6	DA-41-153-24E	DA-41-2-24E	DA-41-3-24E	533.00
316 stainless steel	10 to 300	18	DA-41-153-9E	DA-41-2-9E	DA-41-3-9E	553.00
316 stainless steel	30 to 400	30	DA-41-153-21E	DA-41-2-21E	DA-41-3-21E	580.00
316 stainless steel	75 to 800	75	DA-41-153-22E	DA-41-2-22E	DA-41-3-22E	659.00
316 stainless steel	100 to 1000	100	DA-41-153-11E	DA-41-2-11E	DA-41-3-11E	755.00
316 stainless steel	200 to 2500	210	DA-41-153-13E	DA-41-2-13E	DA-41-3-13E	755.00

OPTIONS

Weatherproof Enclosure - Series DAW
 Note: To order, add "W" to model number after DA or DS, change 1 to 3 and **+\$139.50**.
 Example: DAW-33-153-7

Explosion-Proof Enclosure - Series DAH
 Suitable for Class I, Groups C and D; NEMA 7; Class II, Groups E, F, G; Class III NEMA 9 and 9A, Division 1.
 Note: To order, add "H" to model number after DA or DS and **+\$660.00**. Example: DAH-31-153-7

FM Approved
 For general purpose and explosion-proof models see agency approvals.
 Note: To order, add "F" to model number after DA, DS, DAH or DSH and **+\$60.00**.
 Examples: DAF-31-153-7 or DAHF-31-153-7

Other Options (Consult Factory)
 DPDT switches or other switch types, fixed deadband mercury switch units for low deadband applications, manual reset operation, two-stage operation, acetal bushed movement for applications with high amounts of vibration and/or pulsation, fungus proofing, siphon, diaphragm seals, mounting flange and remote connection.

USA: California Proposition 65
 ⚠WARNING: Cancer and Reproductive Harm - www.P65Warnings.ca.gov