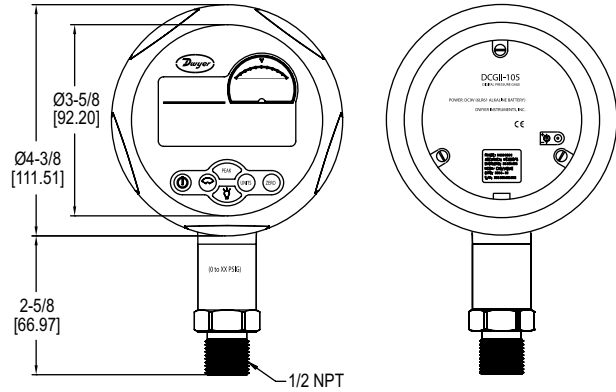


# DIGITAL CALIBRATION PRESSURE GAGE

±0.05% FS Accuracy, 316 SS Wetted Parts

CALIBRATION SERVICES AVAILABLE



The **Series DCGII Digital Calibration Pressure Gage** offers a complete pressure gage with calibration capabilities. With a precise 0.05% full-scale accuracy and large 5 digit resolution, this gage can be used in critical industrial applications where precision is most important. This versatile gage only requires one 9 V battery or power adaptor and can operate up to 5,000 working hours. The Series DCGII 0.05% Digital Pressure Gage can display percent of range, pressure swings or alarm set points. This pressure gage comes complete with ten selectable pressure units, backlight and zeroing capability.

**BENEFITS/FEATURES**

- Highest accuracy provides exceptional measurement for calibration minimizing costly out of specification conditions
- Stainless steel housing resists ambient corrosion for longer service life in harsh environments
- Lightweight and slim, yet large easy to read battery-powered gage make them easy to carry and read
- Specified with high ambient temperature rating means more robust uses and longer service-life
- Indicator can display pressure swings, minimum and maximum peak detection with alarm set points provides a multipurpose tool where critical calibration is needed

**APPLICATIONS**

- Field gage calibration
- Permanent installation
- Burst disc testing
- Pressure regulator testing and hydrostatic leak testing

**SPECIFICATIONS**

**Service:** Compatible, non-combustible liquids and gases.  
**Wetted Materials:** 316 SS.  
**Other Materials:** Housing: Aluminum alloy; Display: Acrylic MR200; Buttons: Silicon gel; Back plate: 304 SS; Back seal: Oil-proof latex.  
**Accuracy:** 0.05% FS; ±1 least significant digit.  
**Temperature Accuracy:** ±1°C.  
**Pressure Limits:** 120% FS.  
**Temperature Limits:** 14 to 122°F (-10 to 50°C).  
**Compensated Limits:** 32 to 122°F (0 to 50°C).  
**Process Connection:** 1/2" male NPT.  
**Display:** 5-digit LCD with blue backlight.  
**Power Requirements:** 9 V alkaline battery, not included, or power adaptor accessory.  
**Battery Life:** Up to 10,000 hours (600 working hours @ default 3 times/s).  
**Auto Shut-Off:** Backlight: On/off, 10 s, 20 s, 30 s.  
**Weight:** 1.28 lb (0.58 kg).  
**Agency Approvals:** CE.

**MODEL CHART**

Model	Range (psig)	kPa	MPa	kg/cm <sup>2</sup>	mm H <sub>2</sub> O	in H <sub>2</sub> O	in Hg	mm Hg	psi	mbar	bar
DCGII-100	-14.7 to 0	-101.35	-0.1013	-1.0335	-10334	-406.90	-29.929	-760.21	-14.700	1013.5	-1.0135
DCGII-101	0 to 15	103.42	0.1034	1.0546	10545	415.20	30.540	775.72	15.000	1034.2	1.0342
DCGII-102	0 to 30	206.84	0.2067	2.1092	21090	830.40	61.080	1551.4	30.000	2068.4	2.0684
DCGII-103	0 to 60	413.69	0.4134	4.2184	42180	1660.8	122.16	3102.9	60.000	4136.9	4.1369
DCGII-104	0 to 100	689.48	0.6890	7.0307	70301	2768.0	203.60	5171.5	100.00	6894.8	6.8948
DCGII-105	0 to 200	1379.0	1.3780	14.061	-	5536.0	407.20	1034.3	200.00	1379.0	13.790
DCGII-106	0 to 300	2068.4	2.0670	21.092	-	8304.0	610.80	1551.4	300.00	2068.4	20.684
DCGII-107	0 to 500	3447.4	3.4450	35.153	-	1384.0	1018.0	2585.7	500.00	3447.4	34.474
DCGII-108	0 to 1000	6894.8	6.8900	70.307	-	2768.0	2036.0	5171.5	1000.00	6894.8	68.948
DCGII-109	0 to 2000	1379.0	13.780	140.61	-	5536.0	4072.0	2000.00	2000.00	137.90	137.90

**OPTIONS**

Use order code:	Description
NISTCAL-PG2	NIST traceable pressure calibration certificate

**ACCESSORIES**

Model	Description
A-644	9 V DC power adaptor
BBV-0N	2-valve block manifold
PCHP-10	Pneumatic calibration pump

See page 194 (Series PCHP)