

SERIES VFCR | VISI-FLOAT® ACRYLIC FLOWMETERS WITH ROTO-GEAR VALVE TECHNOLOGY

FEATURES/BENEFITS

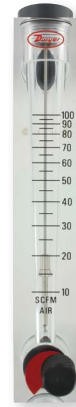
- Patent pending interlocking and rotating gear valve design offers fine flow control with full flow adjustment from fully open to fully closed
- Convenient valve cartridge assembly can easily be removed for effortless cleaning saving time and money
- Direct reading scales are hot stamped into the acrylic body resisting fading or wearing and extending product life
- Bodies are cut and precision machined from solid, clear acrylic blocks with white backgrounds for better visibility of the float, increasing reading accuracy
- Valve design features leak tight closure

APPLICATIONS

- Medical equipment
- Pollution monitors
- Chemical injectors
- Mining
- Laboratory
- Gas analysis
- Wastewater

DESCRIPTION

The innovative **Series VFCR Visi-Float® Acrylic Flowmeter with Roto-Gear Technology** is a direct reading variable area flowmeter with scales for liquid or gas applications. Roto-gear® technology permits full open to close adjustment while maintaining fine flow control of the process media in one valve design. Installation, operation, and maintenance are simple ensuring a long, accurate, and trouble-free operation life.



VFCR
with 1" female
NPT connections

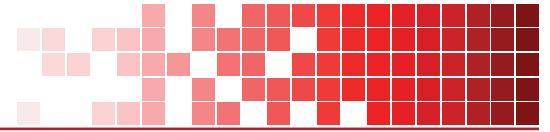


VFCR II
with 1" male
NPT Connections

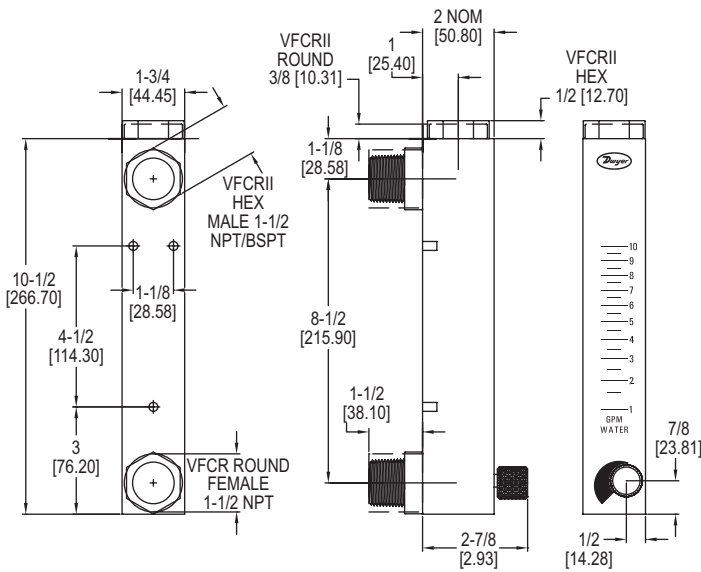
SPECIFICATIONS

Service	Compatible gases and liquids.
Wetted Materials	Body: Acrylic plastic; O-ring: Buna-N; Valve: Delrin®; Float: Stainless steel; Float stop: Polyolefin (range no. 141 Polyolefin and PVC); Float rod: 18-8 SST; Fittings: PVC (VFCR II Delrin®).
Temperature Limit	120°F (48°C).
Pressure Limit	100 psig (6.9 bar).
Accuracy	2% of full scale.
Process Connection	VFCR: 1" female NPT back connections. VFCR II: 1" male NPT back connections.
Scale Length	5" (127 mm).
Mounting Orientation	Mount in vertical position.
Weight	25.6 oz (0.73 kg).

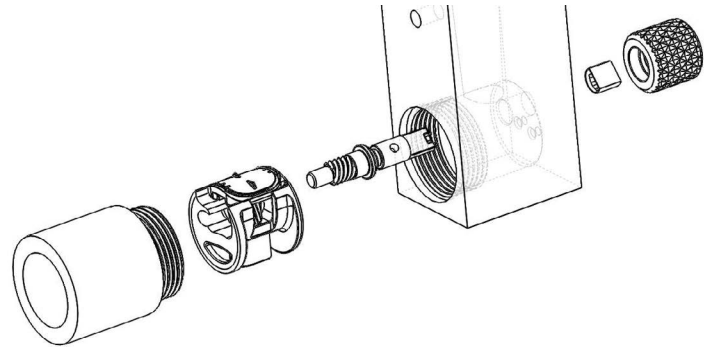




DIMENSIONS

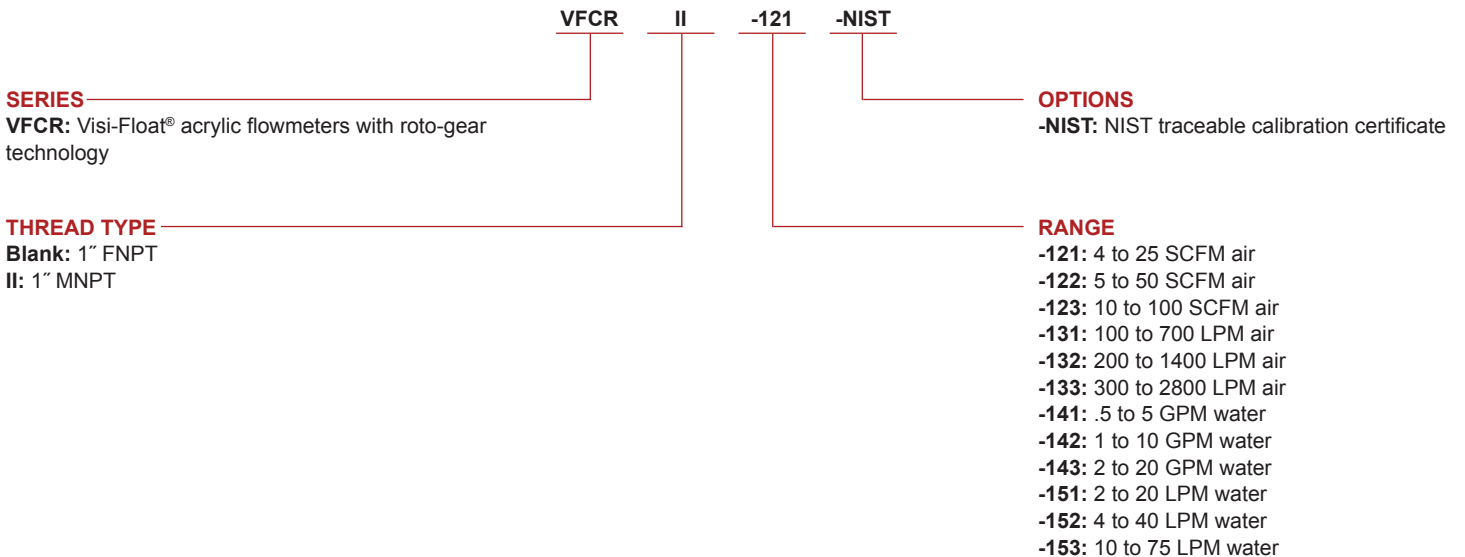


REMOVABLE VALVE CARTRIDGE ASSEMBLY



HOW TO ORDER

Use the **bold** characters from the chart below to construct a product code.



Important Notice: Dwyer Instruments, Inc. reserves the right to make changes to or discontinue any product or service identified in this publication without notice. Dwyer advises its customers to obtain the latest version of the relevant information to verify, before placing any orders, that the information being relied upon is current.

