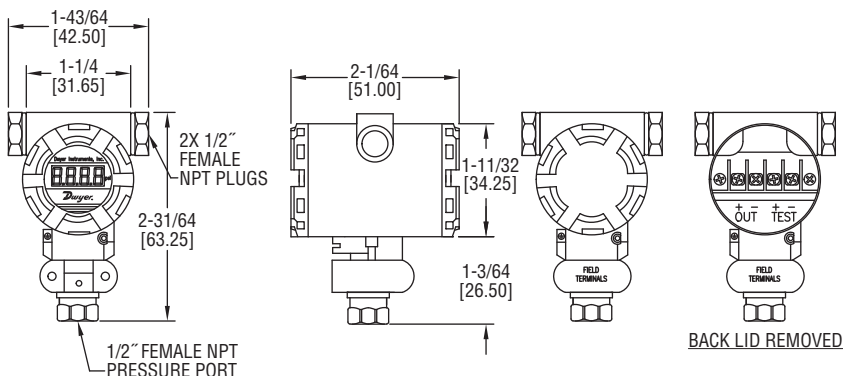




Series IWP Industrial Weatherproof Pressure Transmitter

Specifications - Installation and Operating Instructions



The Series IWP Pressure Transmitter provides an excellent solution to pressure measurement in industrial conditions. The transmitter delivers a 4 to 20 mA signal in response to the pressure being measured against its stainless steel diaphragm. The 4-digit LED display allows for easy field inspection of pressure in psi units. The IP65 rated or industrial conduit entry enclosure ensures the high quality sensor circuitry is able to maintain precise operation under dirty and wet conditions, making the Series IWP an ideal choice for petroleum, chemical and metallurgical industry applications.

FEATURES

- Industrial weatherproof conduit entry enclosure
- 4-digit LED display

INSTALLATION

Media Compatibility

Series IWP transmitters are designed to be used with any gas or liquid compatible with both 304 and 316L stainless steel.

Environment

The operating temperature limits of the IWP are as follows:

- Temperature Limits: -22 to 185°F (-30 to 85°C);
- Compensated Temperature Limits: 14 to 158°F (-10 to 70°C).

Pressure Fittings

Typically, standard pipe fittings and installation procedures should be used. However, for very high pressure ranges (such as those in excess of 500 psig), we recommend the use of a sealant such as Loctite® 569 Thread Sealant, Hydraulic Sealant.

Moisture Precautions

The Series IWP is provided with two 1/2" female NPT conduit entries for electrical termination. In order to prevent ingress of moisture to the IWP, the ports must be sealed in accordance with standard industry practice. It is recommended that a sealer such as PTFE tape be applied around the threads of the conduits entering the IWP.

Note: Buttons in front of Series IWP transmitters are not meant for customer use. Tampering will void warranty.

SPECIFICATIONS

Service: Gases and liquids compatible with wetted materials.

Wetted Materials: 304 and 316 stainless steel.

Accuracy: 0.5% FS.

Stability: <0.2% FS per year.

Temperature Limits: -22 to 185°F (-30 to 85°C).

Compensated Temperature Limits: 14 to 158°F (-10 to 70°C).

Pressure Limits: 1.5 x pressure range.

Temperature Coefficient: 0.3% F.S. per 10°C.

Power Requirements: 12 to 36 VDC.

Output Signal: 4 to 20mA.

Loop Resistance: 1200 Ω max.

Electrical Conduit Connection: 1/2" female NPT.

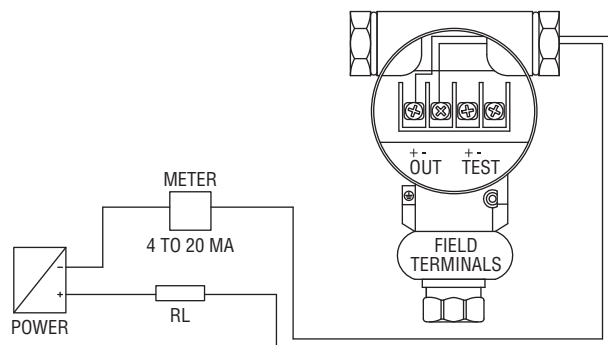
Process Connection: 1/2" female NPT.

Enclosure Rating: IP65.

Agency Approvals: CE.

ELECTRICAL INSTALLATION

Wiring is to enter the IWP by one of the 1/2" female NPT conduit entries. Remove the rear solid metal cover by twisting counterclockwise.



The terminal strip, as pictured above, will be shown. A power supply with an output of 12 to 36 VDC must be connected to the device at the "OUT" terminals (two left terminals). Unscrew the terminal blocks, insert each wire (observing polarity), and retighten the terminal blocks. The device will deliver a 4 to 20 mA rated current to any external load, such as an ammeter, provided its resistance is between 1 and 1200 ohms.

MAINTENANCE/REPAIR

After final installation of the Series IWP Industrial Weatherproof Pressure Transmitter, no routine maintenance is required. A periodic check of system enclosure integrity is recommended to ensure against ingress of moisture. These devices are not field repairable and should be returned to the factory if service is required. After first obtaining a Return Goods Authorization (RGA) number, send the material, freight prepaid, to the following address. Please include a clear description of the problem plus any application information available.

Dwyer Instruments, Inc.
Attn: Repair Department
102 Highway 212
Michigan City, IN 46360

Loctite® is a registered trademark of Henkel Corporation