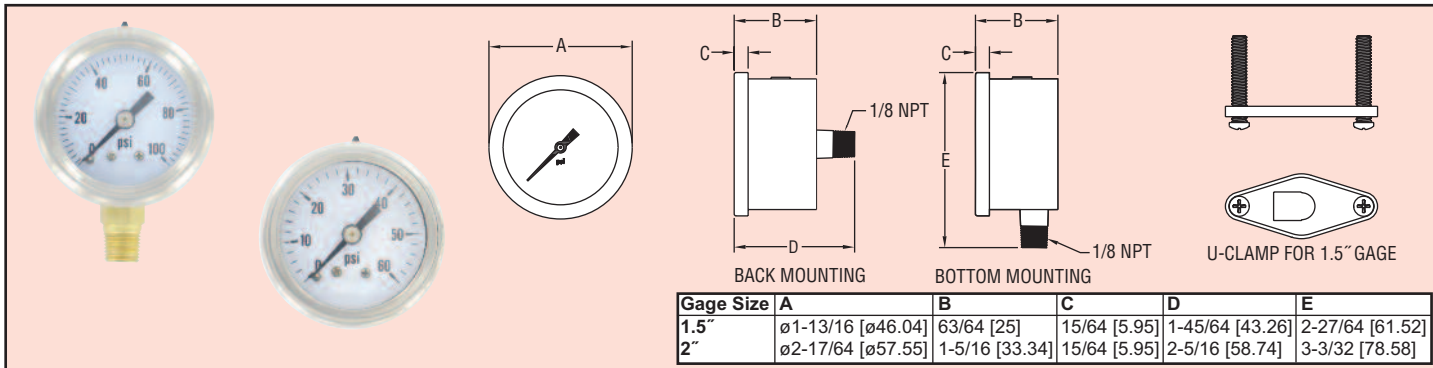




Series  
SGA

# 1.5" or 2" Industrial Pressure Gage

## Brass Wetted Parts, Bottom or Back Connection



Gage Size	A	B	C	D	E
1.5"	ø1-13/16 [ø46.04]	63/64 [25]	15/64 [5.95]	1-45/64 [43.26]	2-27/64 [61.52]
2"	ø2-17/64 [ø57.55]	1-5/16 [33.34]	15/64 [5.95]	2-5/16 [58.74]	3-3/32 [78.58]

**Series SGA Gages** are perfect for applications where resistance to corrosion is necessary. The stainless steel case and ring offer excellent protection from harsh processes and the gage can be easily filled in the field for vibration or pulsation applications. The SGA gages are an economical choice where ambient corrosion and vibration are a concern. Also, this line is suitable for all fluids that are compatible with brass.

### ACCESSORY

**A-296**, 1.5" Gage U-Clamp

### SPECIFICATIONS

**Service:** Compatible gases and liquids.

**Wetted Materials:** Brass.

**Housing Material:** 304 SS.

**Lens:** Plastic.

**Accuracy:** ±1.6% full scale.

**Pressure Limits:** Full scale range.

**Temperature Limits:** 0 to 150°F (17 to 65°C).

**Size:** 1.5" (40 mm) or 2" (50 mm).

**Process Connection:** 1/8" NPT.

**Weight:** 1.8 oz (51 g) or 4.3 oz (122 g).

Model	Size	Range	Connection	Model	Size	Range	Connection	Model	Size	Range	Connection
SGA-B0221N	1.5"	0-15 psi	Lower	SGA-B1021N	1.5"	0-600 psi	Lower	SGA-C0621N	2"	0-160 psi	Lower
SGA-B0321N	1.5"	0-30 psi	Lower	SGA-B1121N	1.5"	0-800 psi	Lower	SGA-C0721N	2"	0-200 psi	Lower
SGA-B0421N	1.5"	0-60 psi	Lower	SGA-B1221N	1.5"	0-1000 psi	Lower	SGA-C0821N	2"	0-300 psi	Lower
SGA-B0521N	1.5"	0-100 psi	Lower	SGA-B1321N	1.5"	0-1500 psi	Lower	SGA-C0921N	2"	0-400 psi	Lower
SGA-B0621N	1.5"	0-160 psi	Lower	SGA-C0221N	2"	0-15 psi	Lower	SGA-C1021N	2"	0-600 psi	Lower
SGA-B0721N	1.5"	0-200 psi	Lower	SGA-C0321N	2"	0-30 psi	Lower	SGA-C1121N	2"	0-800 psi	Lower
SGA-B0821N	1.5"	0-300 psi	Lower	SGA-C0421N	2"	0-60 psi	Lower	SGA-C1221N	2"	0-1000 psi	Lower
SGA-B0921N	1.5"	0-400 psi	Lower	SGA-C0521N	2"	0-100 psi	Lower	SGA-C1321N	2"	0-1500 psi	Lower

For back connect gages, change -CXX21N to -CXX41N. Check website or contact factory for pricing.

USA: California Proposition 65

⚠ WARNING: Cancer and Reproductive Harm - www.P65Warnings.ca.gov