



SERIES TE-E/N

# WALL MOUNT TEMPERATURE SENSORS

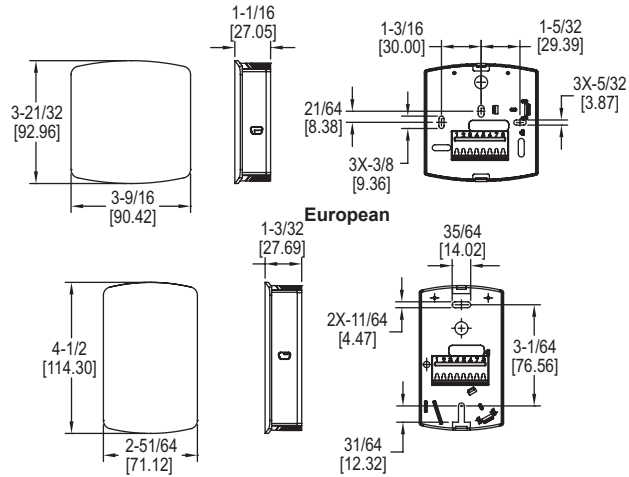
## Discrete Wall Mount Housing



European



North American



TEMPERATURE

The **Series TE-E/N Wall Mount Temperature Sensors** provide a low cost temperature input for any building management system.

### FEATURES/BENEFITS

- North American or European housing aesthetic options
- Uniform look matches other Dwyer wall mount devices
- Universal mounting plate meets various installation requirements

### APPLICATIONS

- Building automation
- Room temperature monitoring

### SPECIFICATIONS

**Accuracy:** Thermistor temp sensor:  $\pm 0.22^{\circ}\text{C}$  @  $25^{\circ}\text{C}$  ( $\pm 0.4^{\circ}\text{F}$  @  $77^{\circ}\text{F}$ ); RTD temp sensor: DIN class B;  $\pm 0.3^{\circ}\text{C}$  @  $0^{\circ}\text{C}$  ( $\pm 54^{\circ}\text{F}$  @  $32^{\circ}\text{F}$ ).

**Temperature Limits:** -40 to 140°F (-40 to 60°C).

**Housing Material:** ABS plastic.

**Weight:** 0.3 lb (136 g).

### MODEL CHART

North American Model	Sensor Type	Price	European Model	Sensor Type	Price
TE-NND-A	10k $\Omega$ type III thermistor	\$9.80	TE-END-A	10k $\Omega$ type III thermistor	\$9.80
TE-NND-B	10k $\Omega$ type II thermistor	9.80	TE-END-B	10k $\Omega$ type II thermistor	9.80
TE-NND-C	3k $\Omega$ thermistor	11.25	TE-END-C	3k $\Omega$ thermistor	11.25
TE-NND-D	Pt100 $\Omega$ RTD	13.50	TE-END-D	Pt100 $\Omega$ RTD	13.50
TE-NND-E	Pt1000 $\Omega$ RTD	13.50	TE-END-E	Pt1000 $\Omega$ RTD	13.50
TE-NND-F	20k $\Omega$ thermistor	9.80	TE-END-F	20k $\Omega$ thermistor	9.80
TE-NND-Q	10k $\Omega$ type III with 11 k $\Omega$ shunt	11.25			