



# Series ARK Pneumatic Actuator Repair Kit

## Specifications - Installation and Operating Instructions



ARK-14

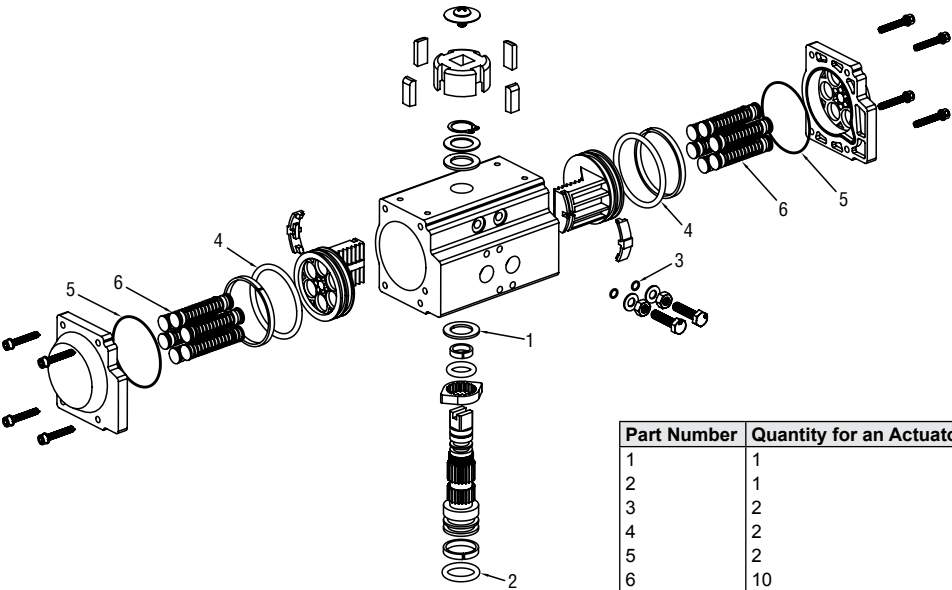
The **SERIES ARK** repair kit includes a complete set of O-rings for the Series ACT-DA and ACT-SR pneumatic actuators.

SPECIFICATIONS
<b>Agency Approvals:</b> Meets the technical requirements of EU Directive 2011/65/EU (RoHS II).

MODEL CHART			
Model	Dwyer Actuator (Model)	Model	Dwyer Actuator (Model)
ARK-00	ACT-DA01	ARK-14	ACT-SR02
ARK-01	ACT-DA02	ARK-15	ACT-SR03
ARK-02	ACT-DA03	ARK-16	ACT-SR04
ARK-03	ACT-DA04	ARK-17	ACT-SR05
ARK-04	ACT-DA05	ARK-18	ACT-SR06
ARK-05	ACT-DA06	ARK-19	ACT-SR07
ARK-06	ACT-DA07	ARK-20	ACT-SR08
ARK-07	ACT-DA08	ARK-21	ACT-SR09
ARK-08	ACT-DA09	ARK-22	ACT-SR10
ARK-09	ACT-DA10	ARK-23	ACT-SR11
ARK-10	ACT-DA11	ARK-24	ACT-SR12

PARTS LIST - INCLUDED IN KIT
(2) FVMQ O-rings for end caps
(2) FVMQ O-rings for piston
(2) FVMQ O-rings for stem
(2) FVMQ O-rings for adjusting bolt
(10) Stainless steel springs (ACT-SR kits only)

Components and Materials for Pneumatic Acuator Repair Kit



Part Number	Quantity for an Actuator	Part Name	Material
1	1	O-ring at the top of the output shaft	FVMQ
2	1	O-ring at the bottom of the output shaft	FVMQ
3	2	O-ring for adjusting bolt	FVMQ
4	2	O-ring for piston	FVMQ
5	2	O-ring for end cap	FVMQ
6	10	Spring	Stainless steel