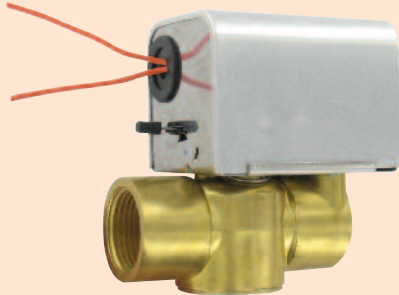




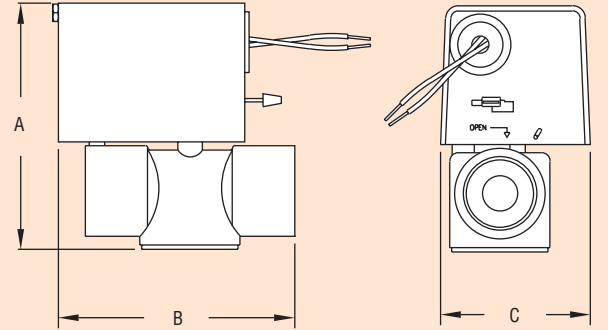
Series
ZV1

Two-Way Zone Valve

Economical, Manual Override



Size	A [in (mm)]	C [in (mm)]	B [in (mm)]
1/2"	4.15 (105.5)	2.48 (63)	3.54 (90)
3/4"	4.15 (105.5)	2.48 (63)	3.66 (93)
1"	4.31 (109.5)	2.48 (63)	3.74 (95)



ZV1 Series Zone Valves are ideal for flow control in hot and cold water HVAC systems. Zone valves are typically used in conjunction with a thermostat to control room temperature. The ZV1 is electrically driven to open and spring to close. Units are available in 1/2", 3/4", and 1" sizes with 24 or 120 VAC power supply. Easy to install these units are direct replacements for competitor units. Manual override lever is easily accessible externally. Consult factory for 220 VAC power supply, optional auxiliary switches, and BSP or sweat connections.

SPECIFICATIONS

Service: Compatible fluids.

Body: 2-way.

Line Size: 1/2" to 1".

End Connections: Female NPT (optional BSP, sweat connections).

Pressure Limits: Max: 300 psi (20.7 bar); Close-off: 1/2" to 3/4": 22 psi (1.5 bar), 1": 14.5 psi (1 bar).

Temperature Limits: Ambient: 32 to 104°F (0 to 40°C); Process: 32 to 201°F (0 to 94°C).

Wetted Materials: Brass, SS, NBR.

Flow Characteristic: Quick opening.

Power Requirements: 120 VAC or 24 VAC, ±10%, 50/60 Hz (optional 220 VAC).

Power Consumption: 6.5 W.

Input: On/off.

Electrical Connection: 22 AWG, 5" (127 mm) long.

Cycle Time: Opening time: 11 s; Closing time: 5 s.

Enclosure Rating: General purpose.

Housing Material: Aluminum.

USA: California Proposition 65

⚠ WARNING: Cancer and Reproductive Harm - www.P65Warnings.ca.gov

Model		Cv	Size	Supply Voltage
Normally Open	Normally Closed			
ZV1022-NO	ZV1022	3.78	1/2"	120 VAC
ZV1024-NO	ZV1024	3.78	1/2"	24 VAC
ZV1032-NO	ZV1032	3.78	3/4"	120 VAC
ZV1034-NO	ZV1034	3.78	3/4"	24 VAC
ZV1042-NO	ZV1042	8.02	1"	120 VAC
ZV1044-NO	ZV1044	8.02	1"	24 VAC