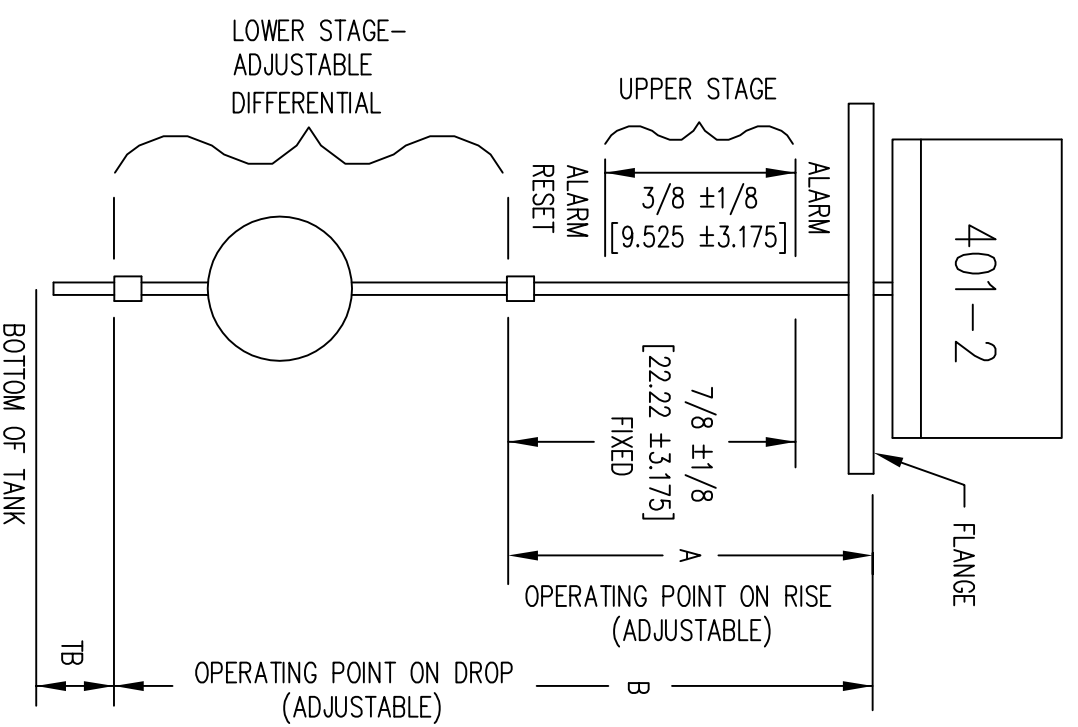
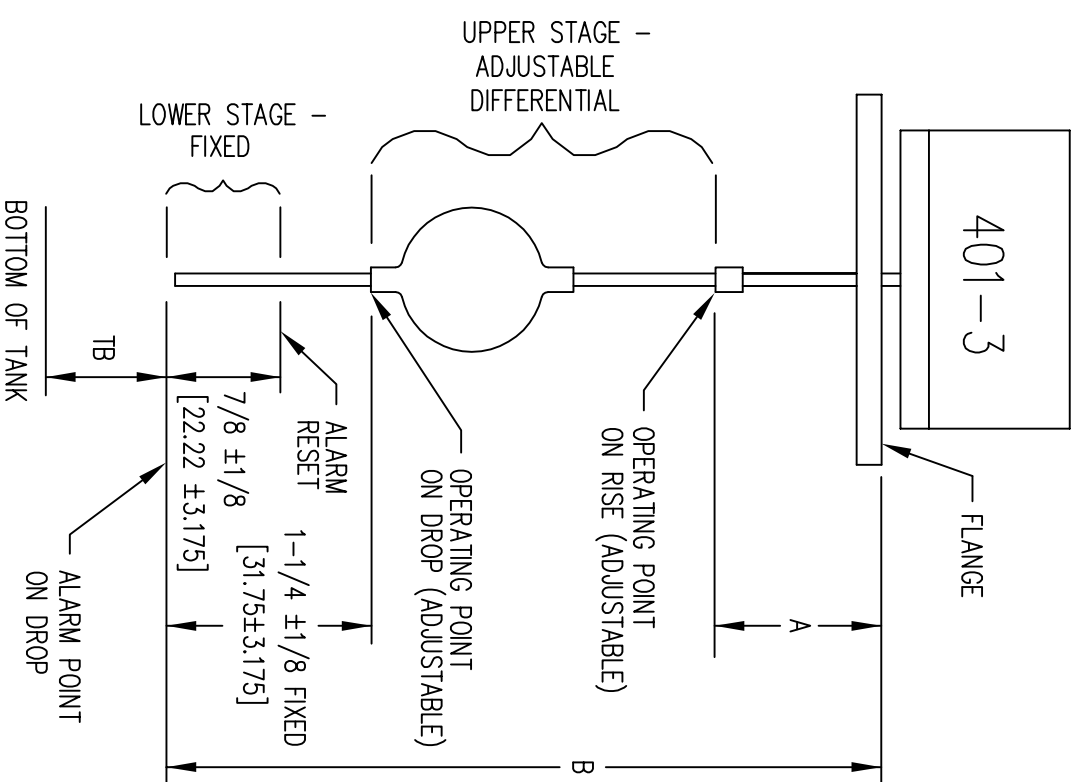


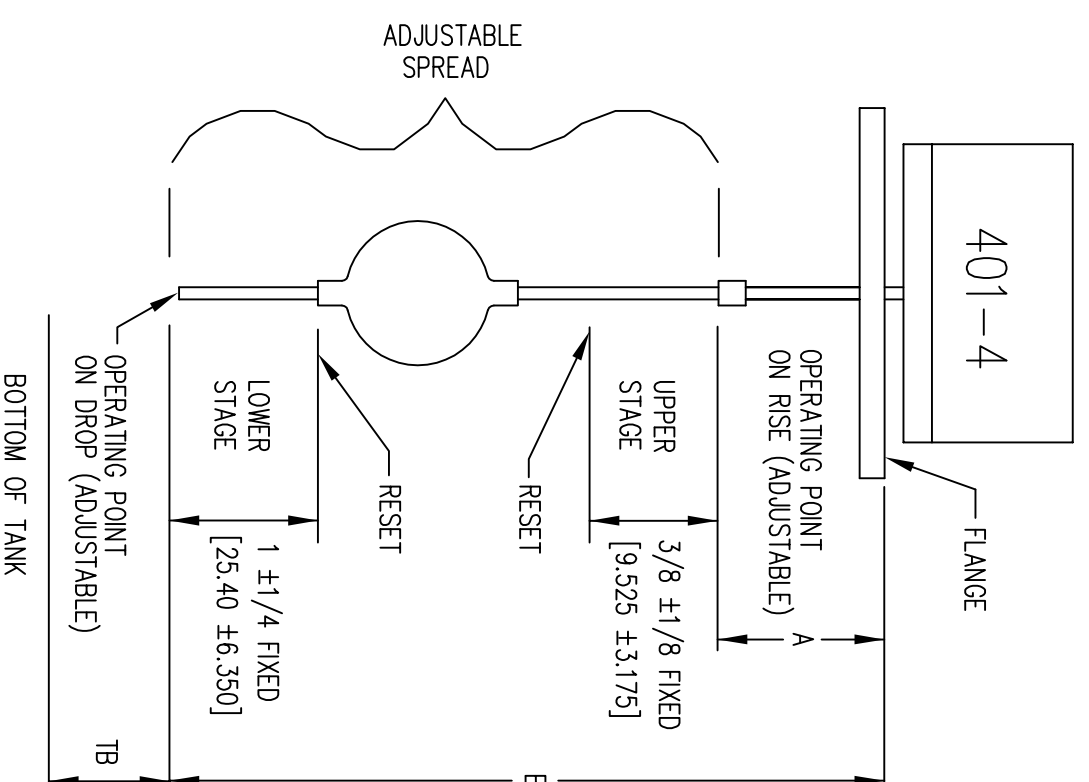
TYPE 401-1 SINGLE STAGE  
ADJUSTABLE HI AND LO OPERATING LEVELS.



TYPE 401-2 TWO STAGE  
ADJUSTABLE OPERATING LEVELS PLUS HI LEVEL ALARM OR TRIP. LOWER STAGE IS OPERATING CIRCUIT. UPPER STAGE IS ALARM OR TRIP.



TYPE 401-3 TWO STAGE  
ADJUSTABLE OPERATING LEVELS PLUS LO LEVEL OR ALARM OR TRIP. LOWER STAGE IS ALARM OR TRIP CIRCUIT. UPPER STAGE IS OPERATING CIRCUIT.



TYPE 401-4 TWO STAGE  
HI AND LO ALARM OR TRIP WITH ADJUSTABLE SPREAD BETWEEN STAGES. LOWER STAGE IS LO LEVEL ALARM OR TRIP CIRCUIT. UPPER STAGE IS HI LEVEL ALARM OR TRIP CIRCUIT.

APPROXIMATE MAXIMUM & MINIMUM OPERATING DEPTHS IN INCHES BELOW TOP OF FLANGE FOR STANDARD GUIDE ROD LENGTHS AT VARIOUS SPECIFIC GRAVITIES. FIGURES MAY VARY  $\pm 2"$  (50mm) DEPENDING ON FLOAT SIZE.

UPPER FIGURE - INCHES  
LOWER FIGURE - METRIC

FLOATS C= COPPER SS= STAINLESS STEEL	"A"	"B"	MAXIMUM FOR "B" - DISTANCE BELOW TOP OF FLANGE FOR OPERATION													
			SP. GR. 1.0				SP. GR. 0.72				SP. GR. 0.62				SP. GR. 0.5	
	GUIDE RODS				GUIDE RODS				GUIDE RODS				GUIDE RODS			
		SP. GR. 1.0 SLIGHTLY LESS FOR 0.72, 0.62, 0.5	4'	8'	12'	4'	8'	12'	4'	8'	12'	4'	8'	12'	4'	8'
3-1/2" X 6" SS	13	15	46	93	141	45*	92*	126	1.14 M	2.33 M	3.2 M	N/A	N/A	N/A	N/A	N/A
	33 CM	38 CM	1.17 M	2.36 M	3.58 M	1.14 M	2.33 M	3.2 M	N/A	N/A	N/A	N/A	N/A	N/A	N/A	N/A
4-1/2" C	13	15	46	93	141	N/A	N/A	N/A	N/A	N/A	N/A	N/A	N/A	N/A	N/A	N/A
	33 CM	38 CM	1.17 M	2.36 M	3.58 M	N/A	N/A	N/A	N/A	N/A	N/A	N/A	N/A	N/A	N/A	N/A
4-1/2" SS	13	15	46	93	141	45	92	140	1.14 M	N/A	N/A	N/A	N/A	N/A	N/A	N/A
	33 CM	38 CM	1.17 M	2.36 M	3.58 M	1.14 M	92	140	1.18 M	N/A	N/A	N/A	N/A	N/A	N/A	N/A
7" SS	13	15	46	93	141	45	92	140	1.14 M	2.33 M	3.56 M	1.18 M	2.33 M	3.56 M	1.18 M	2.33 M
	33 CM	38 CM	1.17 M	2.36 M	3.58 M	1.14 M	2.33 M	3.56 M	1.18 M	2.33 M	3.56 M	1.18 M	2.33 M	3.56 M	1.18 M	2.33 M

\* AVAILABLE FOR TYPE 401-1 AND -3 ONLY  
DIMENSIONS TB & B (see diagrams), MINIMUM DISTANCE BELOW FLANGE REQUIRED FOR FOLLOWING GUIDE ROD LENGTHS: 49-1/2" FOR 4 FT. ROD; 97-1/2" FOR 8 FT. ROD; 145-1/2" FOR 12 FT. ROD. ALL DIMENSIONS ARE APPROXIMATE AND WILL VARY SLIGHTLY DEPENDING ON SPECIFIC GRAVITY, FLOAT MATERIAL AND SIZE. CRITICAL DIMENSIONS MUST BE VERIFIED WITH THE FACTORY BEFORE PLACING ORDER.

NO.	CHANGES	BY/DATE	NAME	MATERIAL
			401 SERIES TOP MOUNT FLOAT TYPE LEVEL CONTROL	
3		APPD		

② = CRITICAL DIMENSION  
STANDARD TOLERANCES UNLESS NOTED:  
ALL DIMENSIONS  $\pm .005$   
ALL ANGLES  $\pm 1^\circ$

**Dwyer Instruments, Inc.**  
MICHIGAN CITY, INDIANA 46360 U.S.A.

FR. NO.