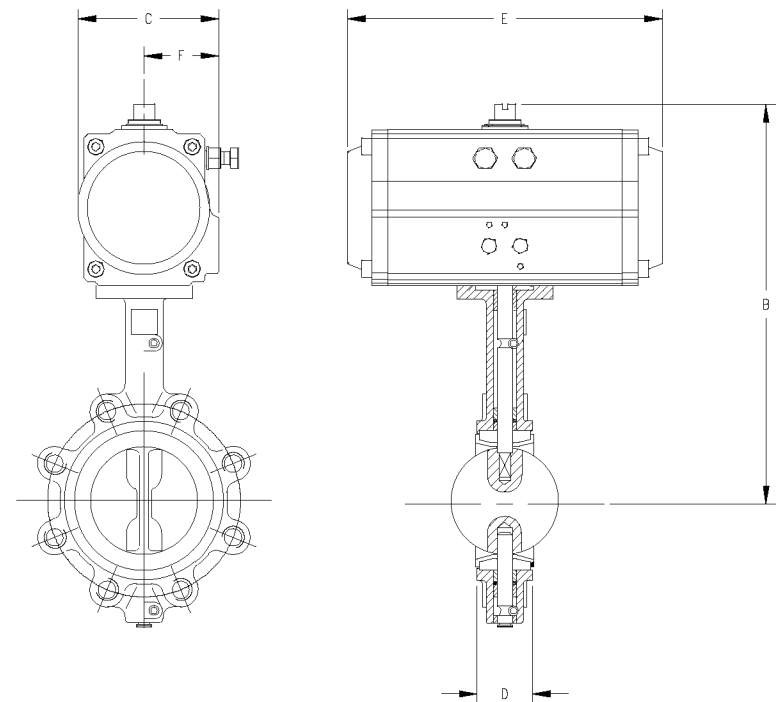


WAFFER VALVE W/ PNEUMATIC ACTUATOR



LUG VALVE W/ PNEUMATIC ACTUATOR

DOUBLE ACTING PNEUMATIC ACTUATOR									
NPT	2"	2-1/2"	3"	4"	5"	6"	8"	10"	12"
B	10-5/8" [269.13]	11-1/8" [283.02]	12-1/4" [310.37]	12-15/16" [328.03]	13-7/8" [353.12]	14-15/16" [379.22]	17-1/8" [435.31]	19-1/16" [483.6]	21-13/16" 554.34
C	3-1/4" [82]	3-1/4" [82]	3-11/16" [94]	4" [101]	4-1/4" [108.5]	4-13/16" [122]	5-7/16" [137.5]	6" [153]	6-7/8" [174]
D	1-5/8" [42]	1-3/4" [45]	1-3/4" [45]	2-1/8" [54]	2-1/8" [54]	2-1/4" [57.15]	2-3/8" [60]	2-5/8" [66]	3" [77]
E	6-5/8" [169]	6-5/8" [169]	7-15/16" [201]	8-1/4" [209]	9-1/2" [242]	10-13/16" [275]	13-1/16" [332]	15-13/16" [385]	17-3/4" [450]
F	1-13/16" [46]	1-13/16" [46]	2-1/16" [52]	2-3/16" [55]	2-1/4" [57.5]	2-1/2" [64]	2-3/4" [70]	3" [77]	3-7/16" [87.5]

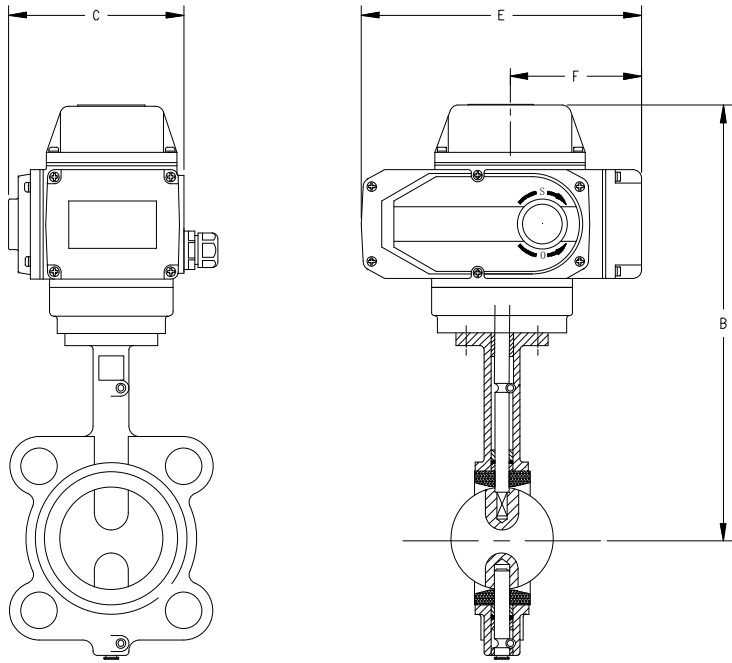
SPRING RETURN PNEUMATIC ACTUATOR									
NPT	2"	2-1/2"	3"	4"	5"	6"	8"	10"	12"
B	11-1/16" [281.3]	11-5/8" [295.02]	12-5/8" [321.37]	13-7/8" [353.03]	15-1/4" [388.12]	16-7/16" [417.72]	18-3/4" [477.13]	21-3/4" [552.1]	24-1/2" [622.34]
C	3-11/16" [94]	3-11/16" [94]	4-1/4" [108.5]	4-13/16" [122]	5-7/16" [137.5]	6" [153]	6-7/8" [174]	8-1/8" [206]	8-7/8" [226]
D	1-5/8" [42]	1-3/4" [45]	1-3/4" [45]	2-1/8" [53.98]	2-1/8" [54]	2-1/4" [57.15]	2-3/8" [60]	2-5/8" [66]	3" [77]
E	7-15/16" [201]	7-15/16" [201]	9-1/2" [242]	10-13/16" [275]	13-1/16" [332]	15-3/16" [385]	17-3/4" [450]	19-15/16" [507]	22-1/8" [562]
F	2-1/16" [52]	2-1/16" [52]	2-1/4" [57.5]	2-1/2" [64]	2-3/4" [70]	3" [77]	3-7/16" [87.5]	4-1/16" [103]	4-7/16" [113]

Ⓢ - CRITICAL DIMENSION
STANDARD TOLERANCES UNLESS NOTED:
ALL DECIMAL DIMENSIONS ±

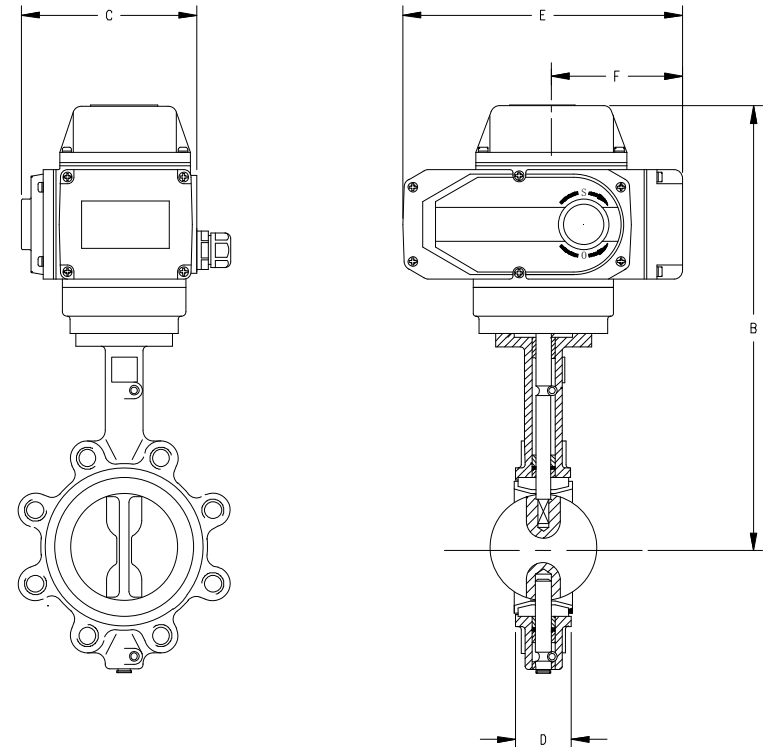
NOT TO SCALE

NO.	CHANGES	BY/DATE	DATE 8-20-14	NAME	MATERIAL
			DWN BY	ARTWORK BUTTERFLY VALVE W/ ACTUATORS (FOR REFERENCE ONLY)	FINISH
			CHKD	SHEET 1 OF 3	DWYER INSTRUMENTS, INC. MICHIGAN CITY, INDIANA 46360 U.S.A.
			APPD	ACAD2002	FR. NO. 701328-00

NOTICE: This drawing and the principles and elements of design embodied therein are the exclusive property of DWYER INSTRUMENTS, INC. and are not to be communicated, disclosed, reproduced or used except as previously authorized in writing by such corporation and must not be submitted to outside parties for examination without the written consent of said corporation.



WAFFER VALVE W/ ELECTRIC ACTUATOR



LUG VALVE W/ ELECTRIC ACTUATOR

		ELECTRIC ACTUATOR									
NPT	2"	2-1/2"	3"	4"	5"	6"	8"	10"	12"		
B	4-11/16" [118.6]	10-15/16" [277.52]	11-3/16" [283.87]	13-5/16" [338.03]	15-1/8" [384.12]	15-5/8" [497.22]	17" [431.3]	18-1/4" [463.1]	20-11/16" [525.34]		
C	4-7/16" [113]	4-7/16" [113]	4-7/16" [113]	4-3/4" [121]	6-1/4" [158]	6-1/4" [158]	6-1/4" [158]	6-1/4" [158]	8-9/16" [217]		
D	1-5/8" [42]	1-3/4" [45]	1-3/4" [45]	2-1/8" [53.98]	2-1/8" [54]	2-1/4" [57.15]	2-3/8" [60]	2-5/8" [66]	3" [77]		
E	6-5/16" [160]	6-5/16" [160]	6-5/16" [160]	7-3/4" [196]	10-1/16" [255]	10-1/16" [255]	10-1/16" [255]	10-1/16" [255]	10-1/16" [255]		
F	3" [77]	3" [77]	3" [77]	3-7/8" [98]	5-1/4" [134]	5-1/4" [134]	5-1/4" [134]	5-1/4" [134]	6-3/8" [162]		

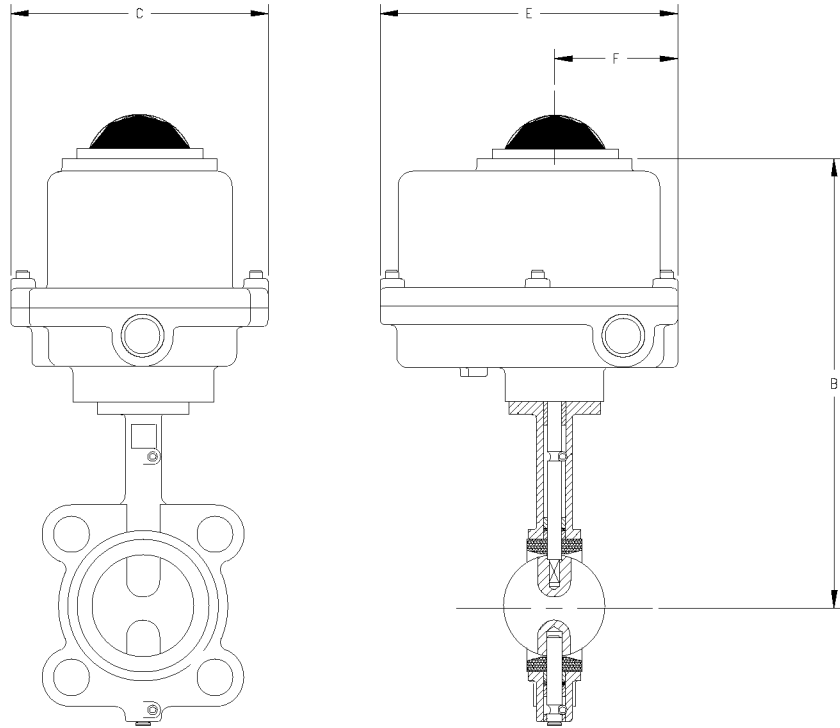
Ⓢ = CRITICAL DIMENSION
 STANDARD TOLERANCES UNLESS NOTED:
 ALL DECIMAL DIMENSIONS ±
 ALL ANGLES ±

NOT TO SCALE

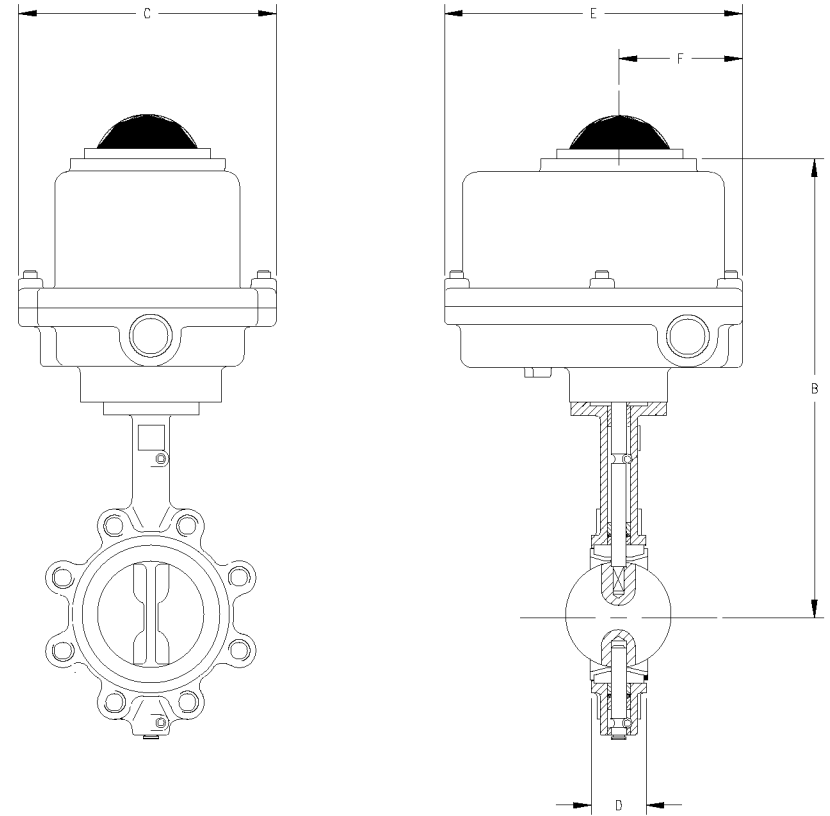
DATE 8-20-14	NAME ARTWORK	MATERIAL
DWN BY	BUTTERFLY VALVE W/ ACTUATORS (FOR REFERENCE ONLY)	FINISH
CHKD		
APPD	SHEET 2 OF 3	
		DWYER INSTRUMENTS, INC. MICHIGAN CITY, INDIANA 46360 U.S.A.

NOTICE: This drawing and the principles and elements of design embodied therein are the exclusive property of DWYER INSTRUMENTS, INC. and are not to be communicated, disclosed, reproduced or used except as previously authorized in writing by such corporation and must not be submitted to outside parties for examination without the written consent of said corporation.

ACAD2002



WAFFER VALVE W/ EXPLOSION-PROOF ACTUATOR



LUG VALVE W/ EXPLOSION-PROOF ACTUATOR

EXPLOSION-PROOF ELECTRIC ACTUATOR									
NPT	2"	2-1/2"	3"	4"	5"	6"	8"	10"	12"
B	12-3/4" [323.44]	13-1/4" [337.33]	14-1/4" [361.44]	14-15/16" [380.1]	15-1/2" [393.19]	18-7/8" [479.29]	20-3/16" [513.38]	25" [635.54]	28-1/2" [724.34]
C	9-3/8" [328.9]	9-3/8" [328.9]	8-1/2" [215.9]	8-1/2" [215.9]	8-1/2" [215.9]	10" [254]	10" [254]	12-7/8" [327]	12-15/16" [328]
D	1-5/8" [42]	1-3/4" [45]	1-3/4" [45]	2-1/8" [53.98]	2-1/8" [54]	2-1/4" [57.15]	2-3/8" [60]	2-5/8" [66]	3" [77]
E	8-1/2" [215.9]	8-1/2" [215.9]	8-1/2" [215.9]	8-1/2" [215.9]	8-1/2" [215.9]	10" [254]	10" [254]	12-7/8" [327]	12-15/16" [328]
F	4-15/16" [125.8]	4-15/16" [125.8]	5-3/8" [136.4]	5-3/8" [136.4]	6-3/4" [171]	6-7/8" [174]	6-7/8" [174]	7-11/16" [195]	7-5/8" [194]

Ⓢ = CRITICAL DIMENSION
 STANDARD TOLERANCES UNLESS NOTED:
 ALL DECIMAL DIMENSIONS ±
 ALL ANGLES ±

NOT TO SCALE

DATE 8-20-14	NAME ARTWORK	MATERIAL
DWN BY	BUTTERFLY VALVE W/ ACTUATORS (FOR REFERENCE ONLY)	FINISH
CHKD		
APPD	SHEET 3 OF 3	
	ACAD2002	

DWYER INSTRUMENTS, INC.
 MICHIGAN CITY, INDIANA 46360 U.S.A.

NOTICE: This drawing and the principles and elements of design embodied therein are the exclusive property of DWYER INSTRUMENTS, INC. and are not to be communicated, disclosed, reproduced or used except as previously authorized in writing by such corporation and must not be submitted to outside parties for examination without the written consent of said corporation.