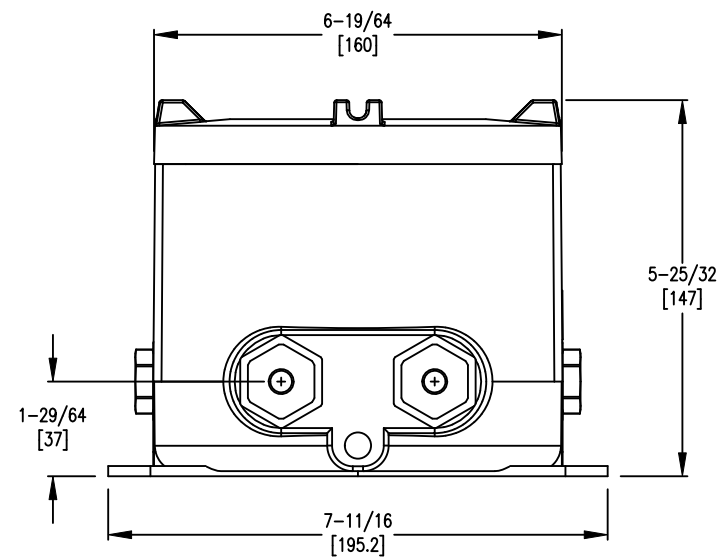
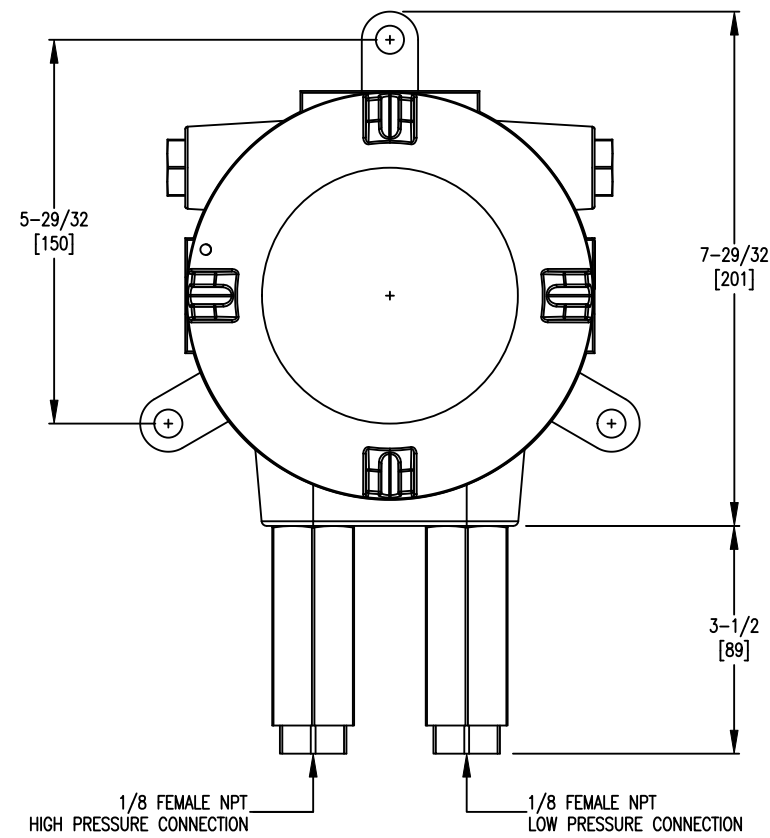
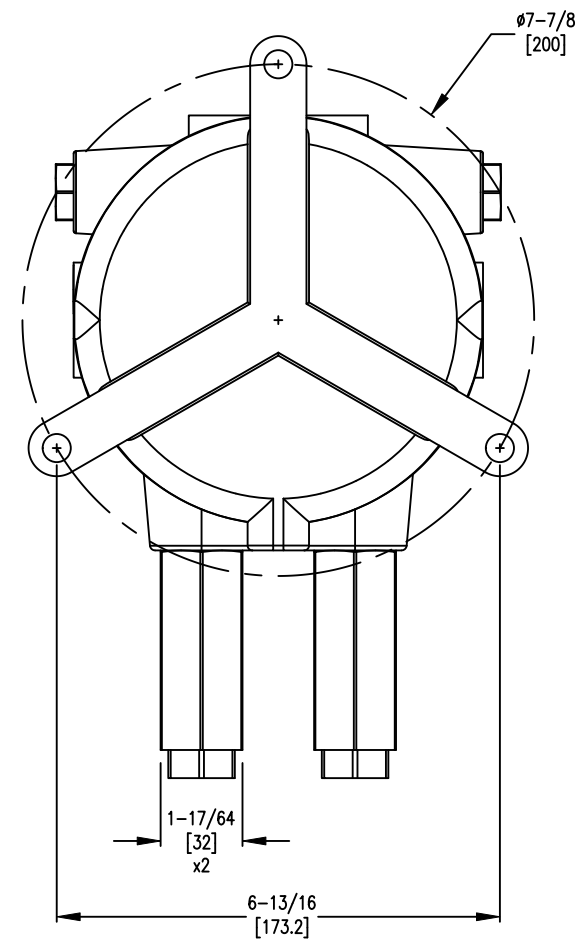


AT-101NA-MS (VLO / DTC003)



AT-101NA-MS (VLO / DTC003 / BACKSIDE VIEW)



Ⓢ = CRITICAL DIMENSION
 STANDARD TOLERANCES UNLESS NOTED:
 ALL DECIMAL DIMENSIONS ± .005
 ALL ANGLES ± 1°

SCALE 3:1

		DATE 10-12-20	NAME ARTWORK, SERIES MS WITH ATEX/IECEX CERTIFIED ALUMINUM ENCLOSURE LD PRESSURE PORT NO VENTING VALVE (FOR REFERENCE ONLY)	MATERIAL
		DWN BY DPR		FINISH
		CHKD KAS		DWYER INSTRUMENTS, INC. MICHIGAN CITY, INDIANA 46360 U.S.A.
NO.	CHANGES	BY/DATE	APPD FAE	FR. NO. 701467-10
NOTICE: This drawing and the principles and elements of design embodied therein are the exclusive property of DWYER INSTRUMENTS, INC. and are not to be communicated, disclosed, reproduced or used except as previously authorized in writing by such corporation and must not be submitted to outside parties for examination without the written consent of said corporation.				3