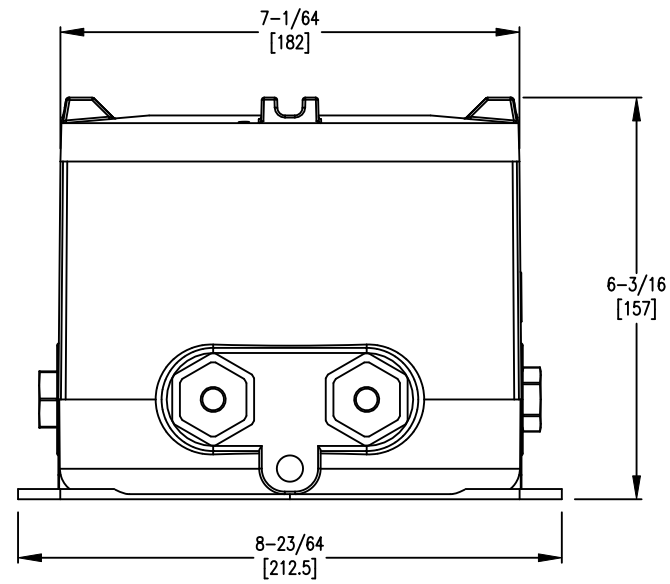
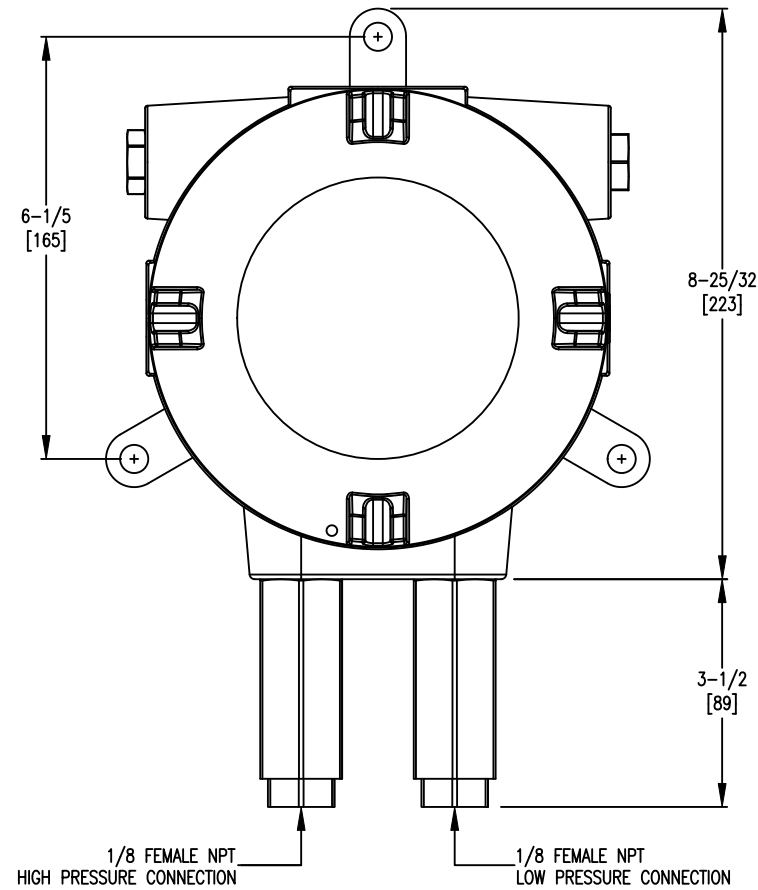
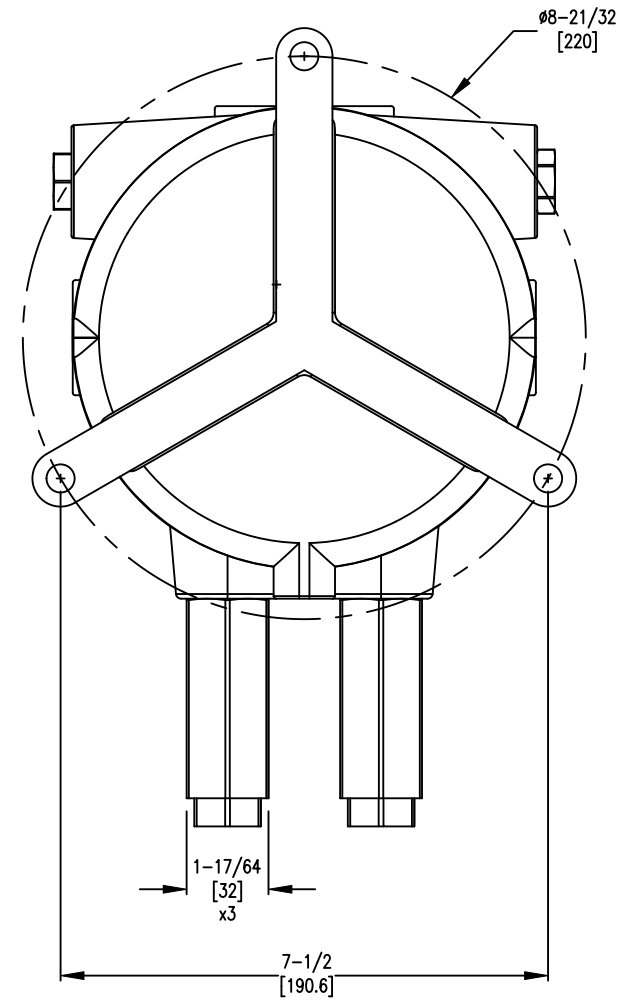


AT-102NA-605 (VLO / DTC005)



AT-102NA-605 (VLO / DTC005 / BACKSIDE VIEW)



Ⓢ = CRITICAL DIMENSION
 STANDARD TOLERANCES UNLESS NOTED:
 ALL DECIMAL DIMENSIONS ± .005
 ALL ANGLES ± 1°

SCALE 3:1

			DATE 01-06-21	NAME	MATERIAL
			DWN BY DPR	ARTWORK, SERIES 605 WITH ATEX/IECEx CERTIFIED ALUMINUM ENCLOSURE LD PRESSURE PORT NO VENTING VALVE (FOR REFERENCE ONLY)	FINISH
			CHKD KAS		DWYER INSTRUMENTS, INC. MICHIGAN CITY, INDIANA 46360 U.S.A.
			APPD FAE		
NO.	CHANGES	BY/DATE			ACAD2002

NOTICE: This drawing and the principles and elements of design embodied therein are the exclusive property of DWYER INSTRUMENTS, INC. and are not to be communicated, disclosed, reproduced or used except as previously authorized in writing by such corporation and must not be submitted to outside parties for examination without the written consent of said corporation.