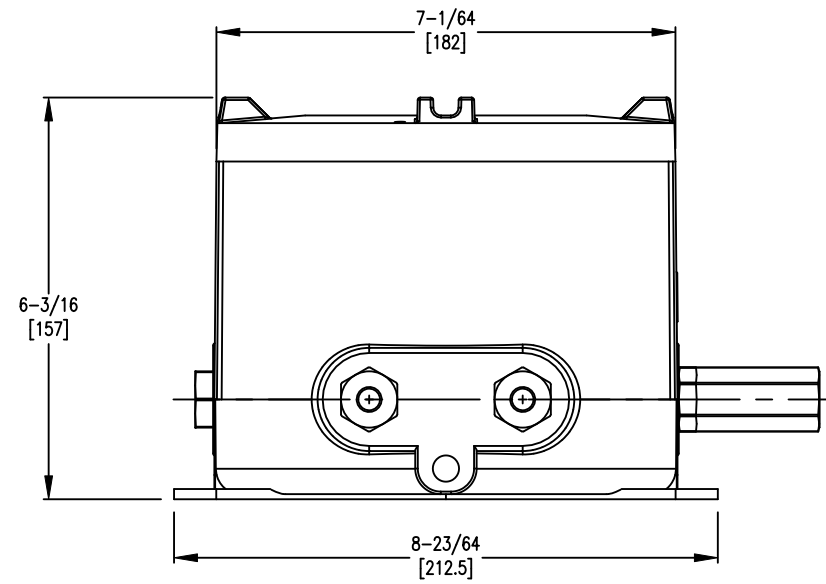
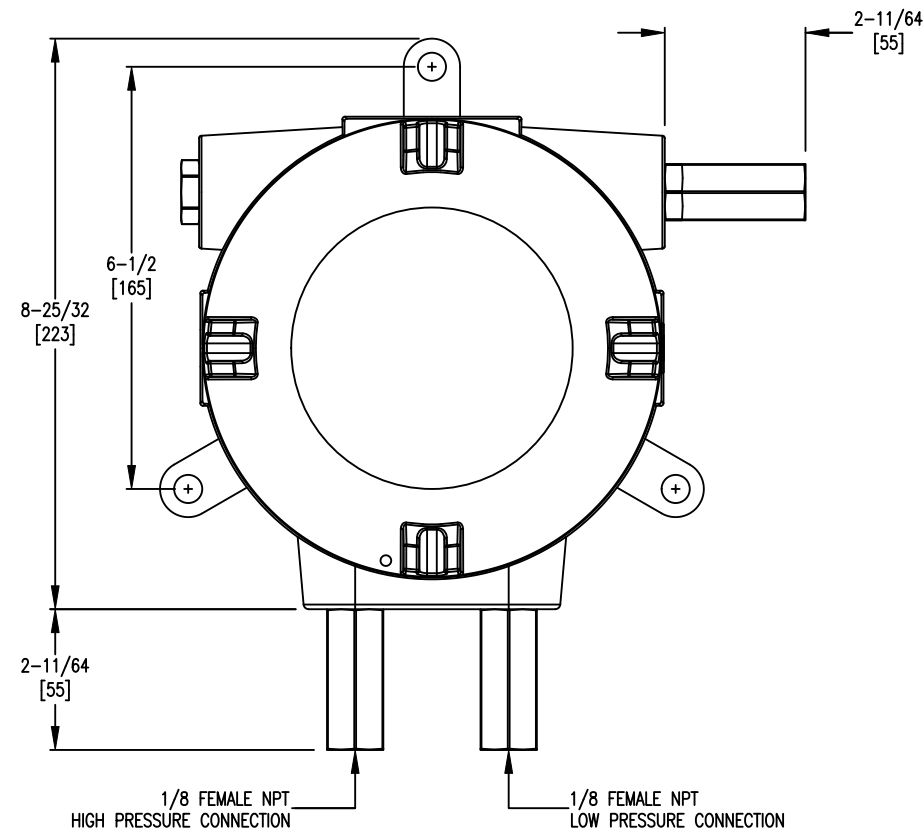
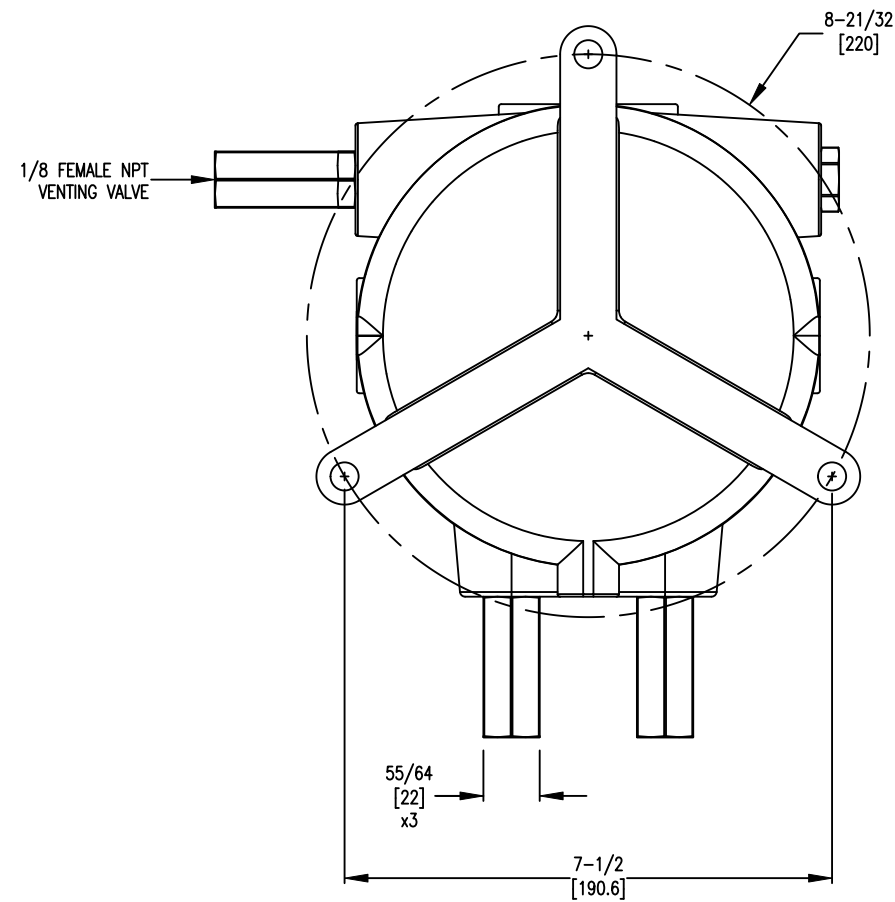


AT-102NA-605 (VS1 / DTC017)



AT-102NA-605 (VS1 / DTC017 / BACKSIDE VIEW)



SCALE 3:1

Ⓢ = CRITICAL DIMENSION
STANDARD TOLERANCES UNLESS NOTED:
ALL DECIMAL DIMENSIONS ± .005
ALL ANGLES ± 1°

		DATE	NAME	MATERIAL
		01-06-21	ARTWORK, SERIES 605 WITH ATEX/IECEx CERTIFIED ALUMINUM ENCLOSURE STD PRESSURE PORT STD VENTING VALVE (FOR REFERENCE ONLY)	FINISH
		DWN BY		DWYER INSTRUMENTS, INC. MICHIGAN CITY, INDIANA 46360 U.S.A.
		CHKD		
		KAS		
NO.	CHANGES	BY/DATE	APPD	FR. NO. 701470-20
			FAE	
NOTICE: This drawing and the principles and elements of design embodied therein are the exclusive property of DWYER INSTRUMENTS, INC. and are not to be communicated, disclosed, reproduced or used except as previously authorized in writing by such corporation and must not be submitted to outside parties for examination without the written consent of said corporation.				3