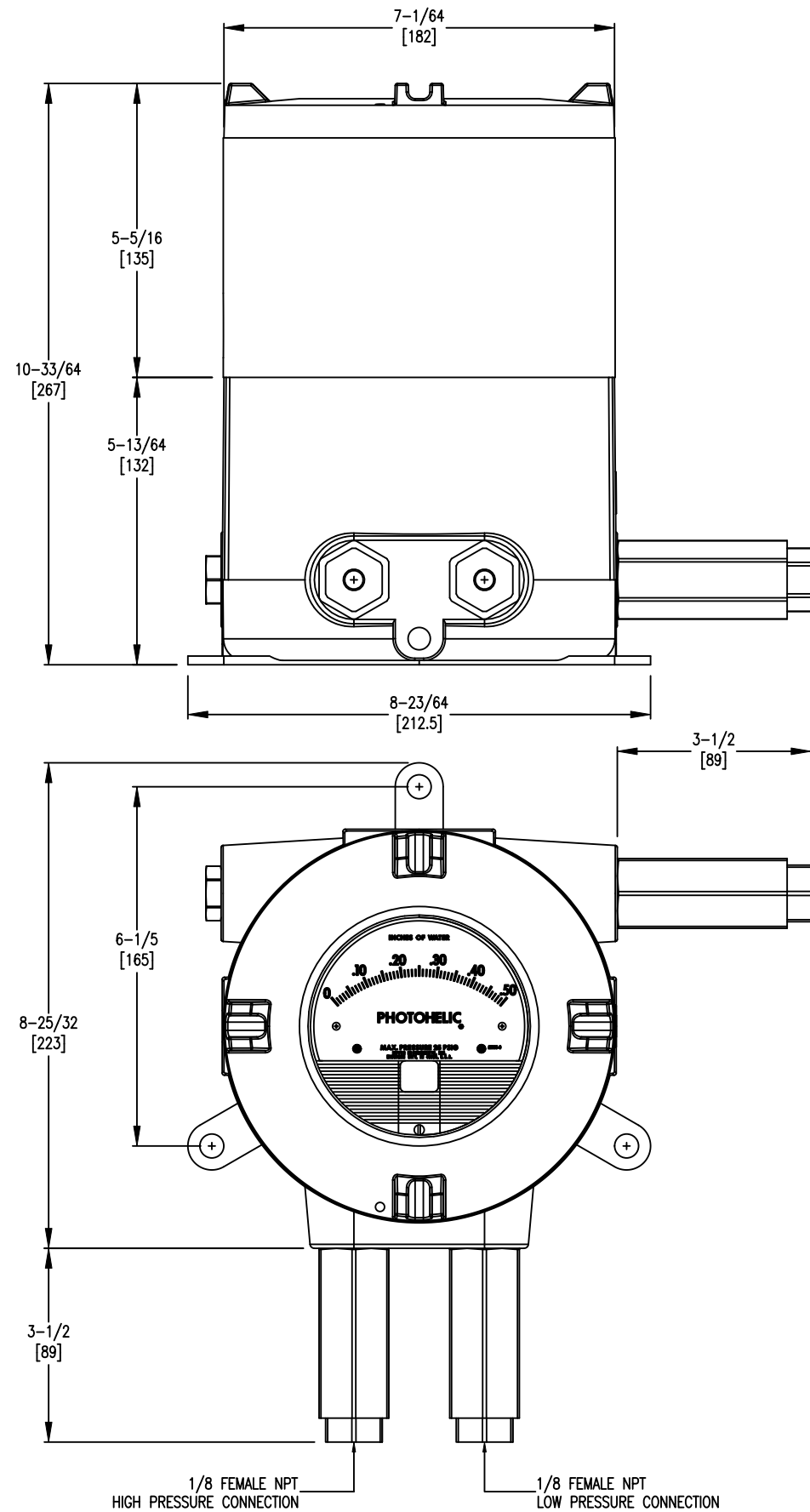
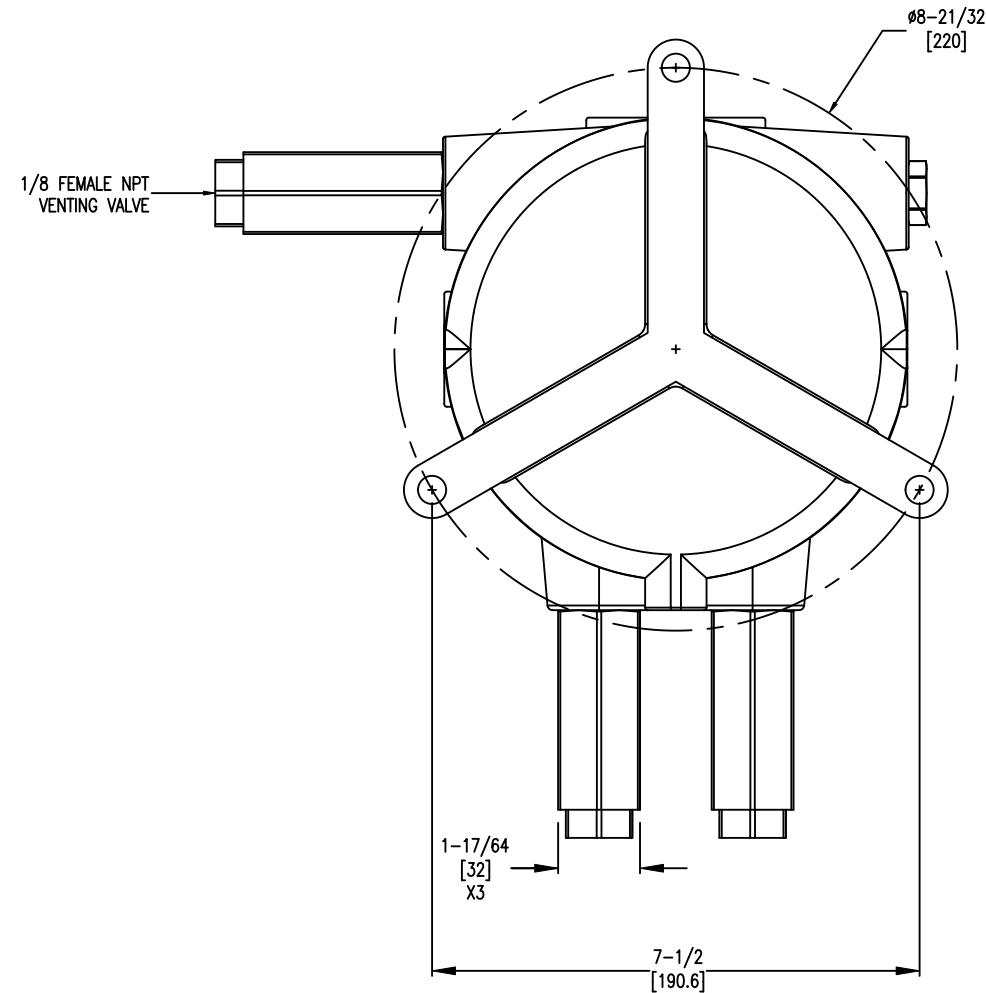


AT-102PA-A3000 (VL1 / W / DTC019)



AT-102PA-A3000 (VL1 / DTC019 / W / BACKSIDE VIEW)



SCALE 3:1

Ⓢ = CRITICAL DIMENSION
STANDARD TOLERANCES UNLESS NOTED:
ALL DECIMAL DIMENSIONS ± .005
ALL ANGLES ± 1°

NO.	CHANGES	BY/DATE	DATE	NAME	MATERIAL		
			01-27-21			ARTWORK, SERIES A3000 WITH ATEX/IECEX CERTIFIED ALUMINUM ENCLOSURE W/ WINDOW LD PRESSURE PORT LD VENTING VALVE (FOR REFERENCE ONLY)	
			DWN BY				FR. NO. 701472-41
			DPR				
CHKD	3						
KAS							
			APPD	ACAD2002	DWYER INSTRUMENTS, INC. MICHIGAN CITY, INDIANA 46360 U.S.A.		
			FAE				
<p>NOTICE: This drawing and the principles and elements of design embodied therein are the exclusive property of DWYER INSTRUMENTS, INC. and are not to be communicated, disclosed, reproduced or used except as previously authorized in writing by such corporation and must not be submitted to outside parties for examination without the written consent of said corporation.</p>							