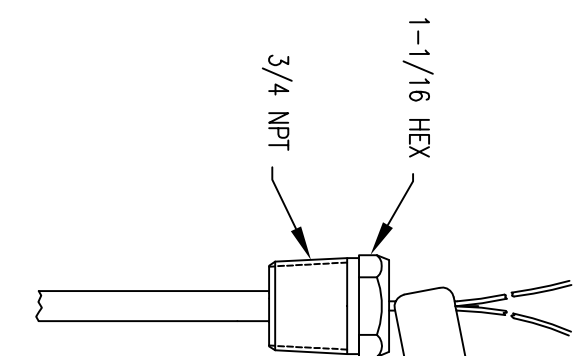
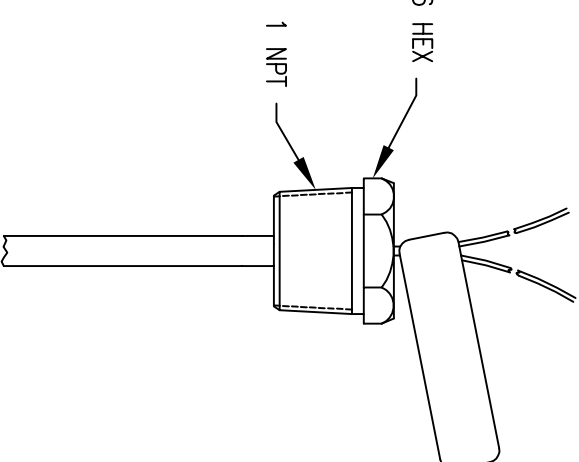


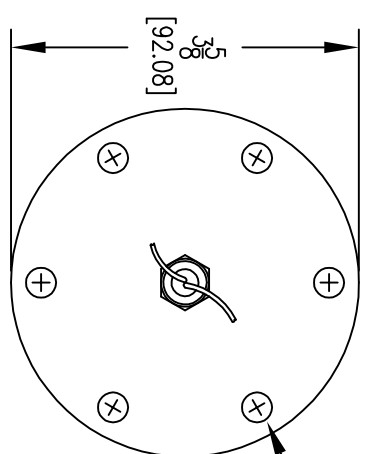
MOUNTING OPTION 1



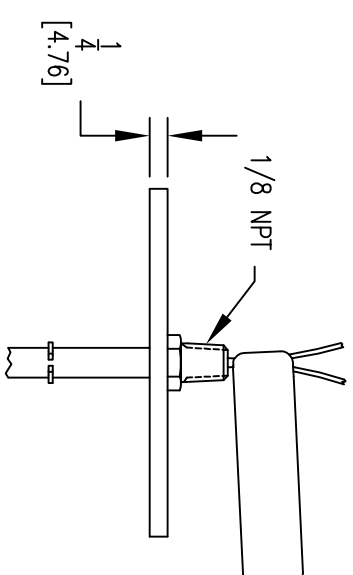
MOUNTING OPTION 2



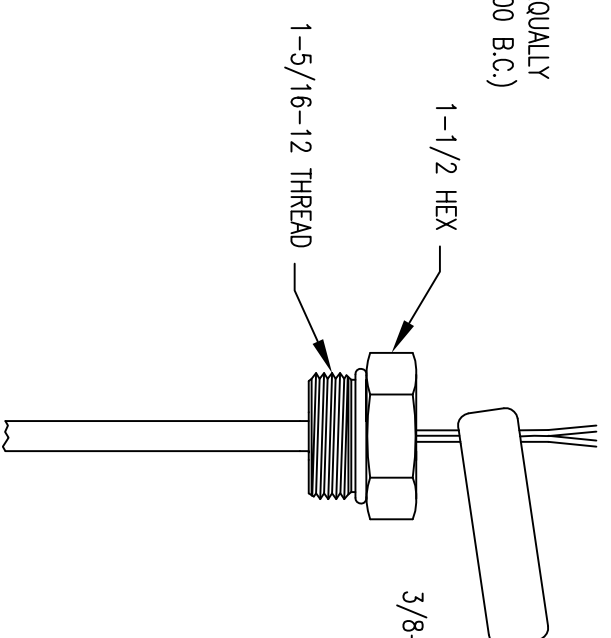
MOUNTING OPTION 3



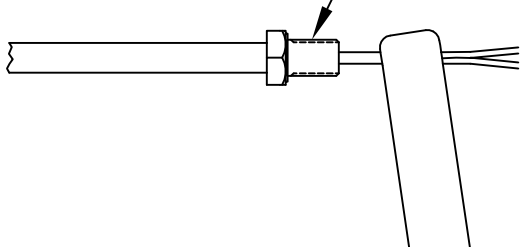
6 HOLES (Ø.313) EQUALLY SPACED ON A (3.000 B.C.)



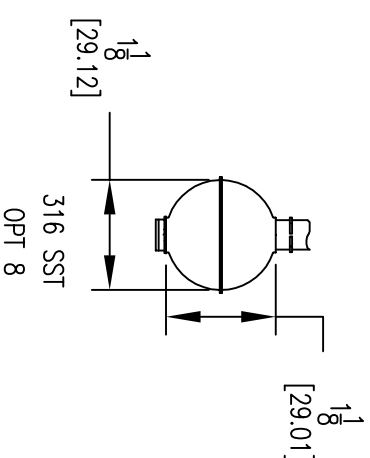
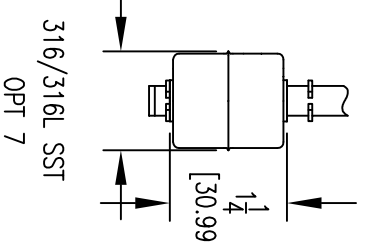
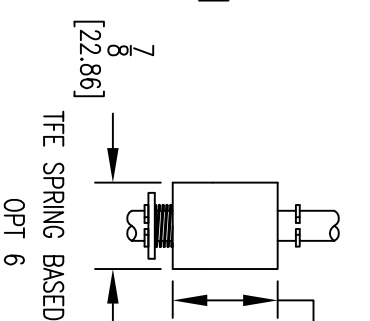
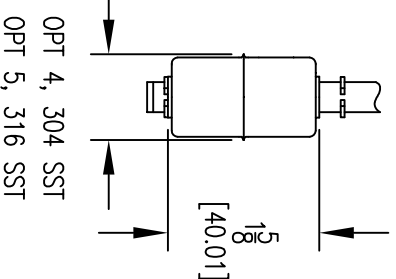
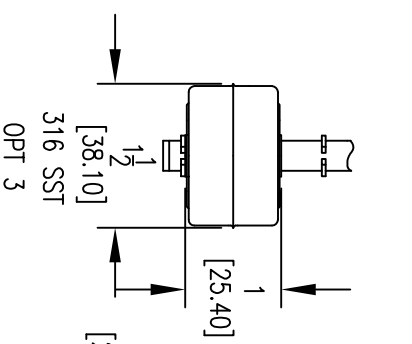
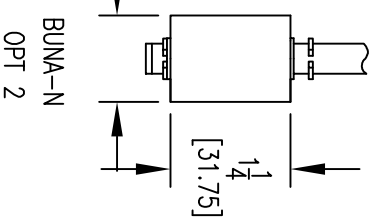
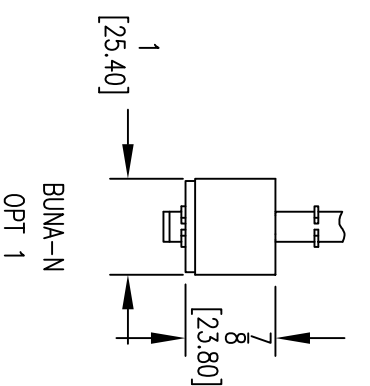
MOUNTING OPTION 4



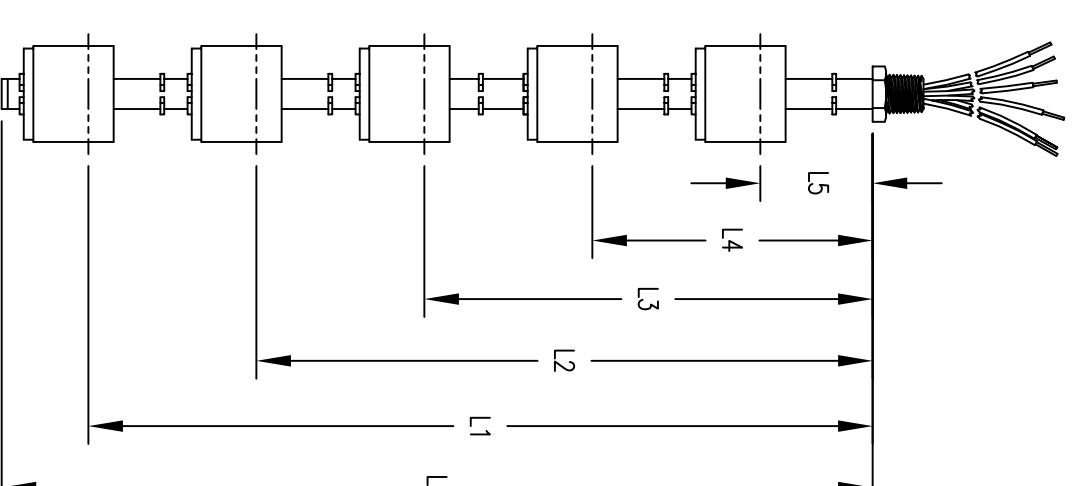
MOUNTING OPTION 5



MOUNTING OPTION 6



FLOAT TYPE	A.	B.	D.
F1	IN.	IN.	IN.
F2	7/8	1-3/4	3/4
F3	3/4	1-7/8	1-1/16
F4	3/4	1-13/16	15/16
F5	9/16	2-7/16	1-7/16
F6	15/16	1-7/8	7/8, NO
F7	13/16	2	1-3/16, NC
F8	3/4	1-7/8	1-1/8



Ⓢ = CRITICAL DIMENSION
STANDARD TOLERANCES UNLESS NOTED:
ALL DECIMAL DIMENSIONS ± .005
ALL ANGLES ± 1°

SCALE 1:2

NO.	CHANGES	BY/DATE	NAME	DATE	FINISH
					DWN BY
					CHKD
					APPD
				ACAD2022	
				FR. NO. 3	
				MATERIAL	
				FINISH	
				Dwyer Instruments, Inc.	
				MICHIGAN CITY, INDIANA 46360 U.S.A.	

F7-MM SERIES
MINI MULTI
LEVEL SWITCH

NOTICE: The drawing and the principal elements of design embodied therein are the exclusive property of DWYER INSTRUMENTS, INC. and are made available for examination without the written consent of said corporation.