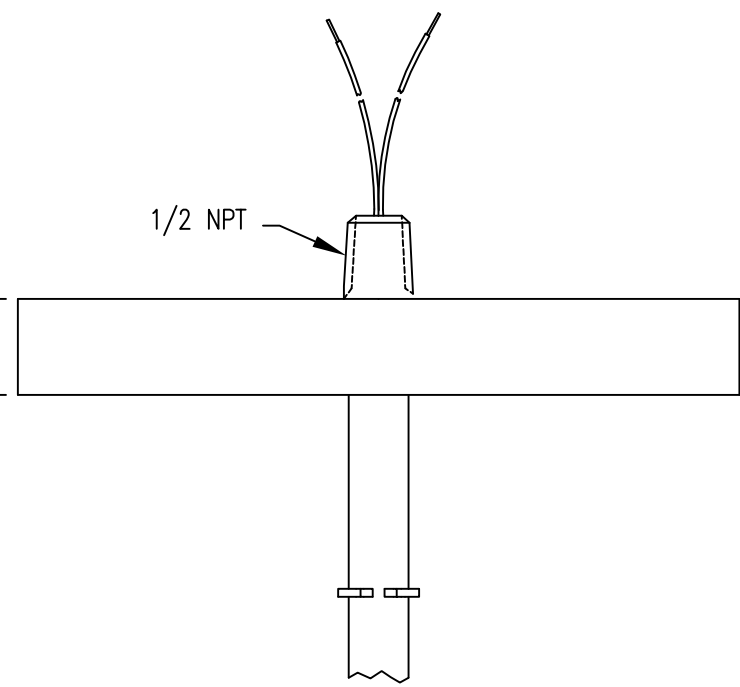
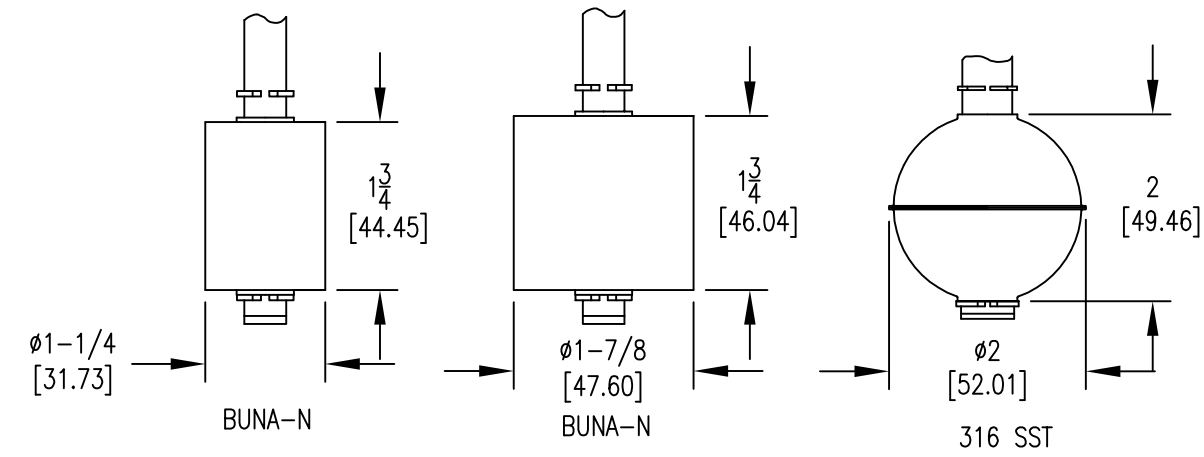
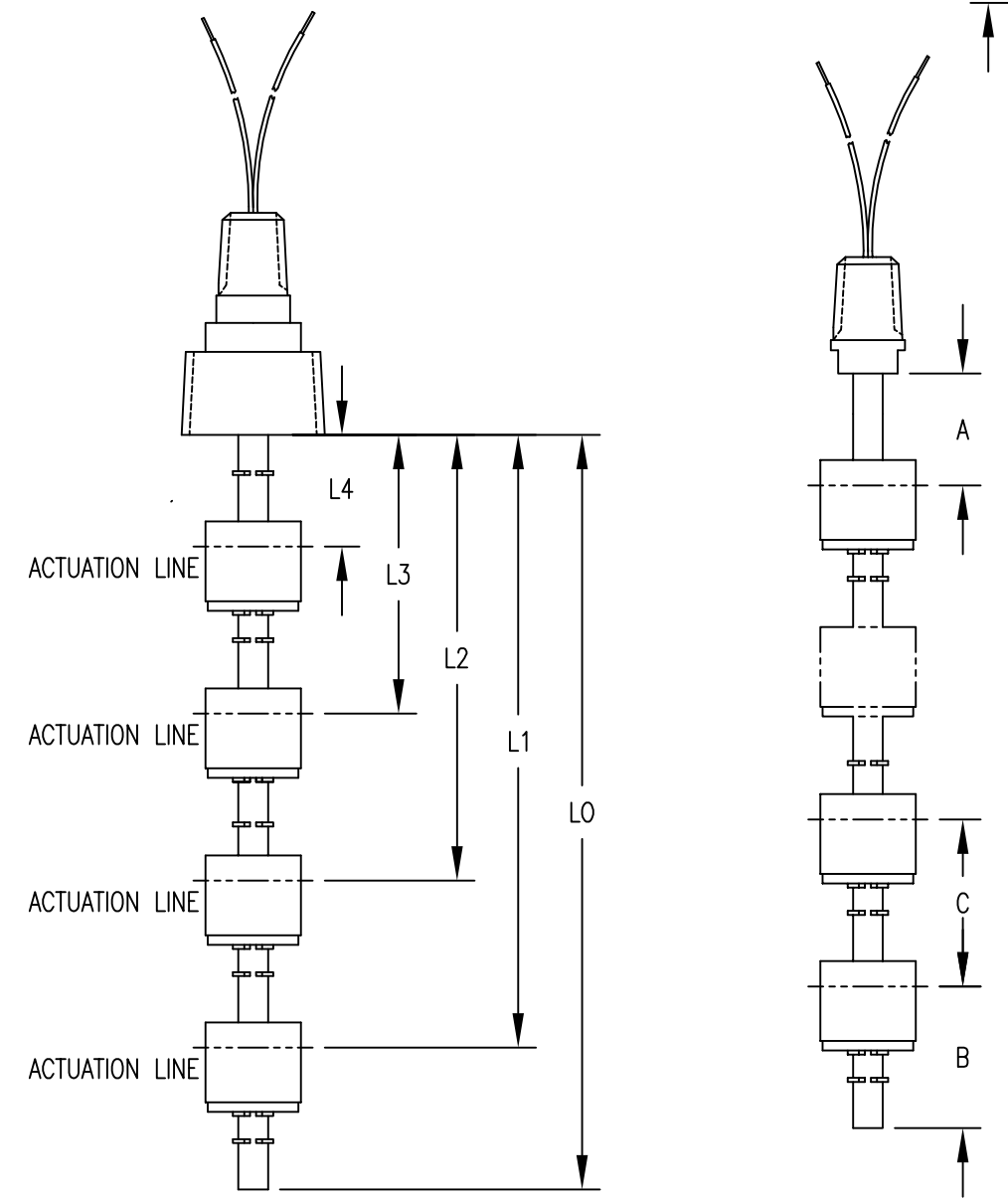


MOUNTING OPTION 1 MOUNTING OPTION 2 MOUNTING OPTION 4



MOUNTING OPTION 4



LENGTH OVERALL (LO)
 _____ INCHES (72 INCHES MAX)
 LO=L1+2.000 INCHES (MIN)
 A=1.500 INCHES MIN (HIGH ALARM)
 B=2.000 INCHES MIN (LOW ALARM)
 C=3.000 INCHES MIN (BETWEEN ALARMS)

Ⓢ = CRITICAL DIMENSION
 STANDARD TOLERANCES UNLESS NOTED:
 ALL DECIMAL DIMENSIONS ± .005
 ALL ANGLES ± 1°

SCALE 1:2

		DATE	NAME	MATERIAL
		DWN BY	F7-MS SERIES STANDARD MULTI LEVEL SWITCH	FINISH
		CHKD		DWYER INSTRUMENTS, INC. MICHIGAN CITY, INDIANA 46360 U.S.A.
		APPD		
NO.	CHANGES	BY/DATE	ACAD2002	FR. NO.

NOTICE: This drawing and the principles and elements of design embodied therein are the exclusive property of DWYER INSTRUMENTS, INC. and are not to be communicated, disclosed, reproduced or used except as previously authorized in writing by such corporation and must not be submitted to outside parties for examination without the written consent of said corporation.