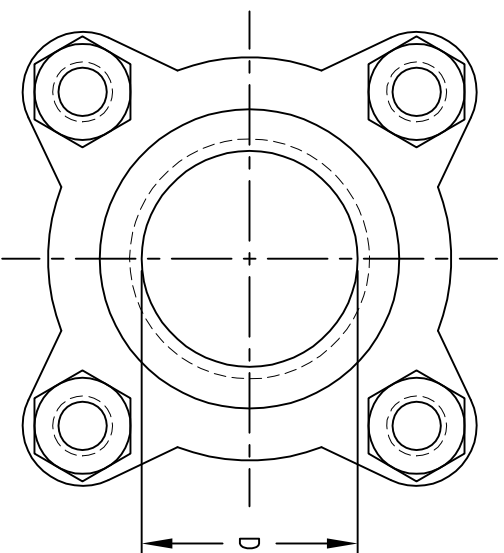


MODEL NO.	SIZE	A	B1	B2	C1	C2	D	E	F
HBV-M01	1/4	.35	1.41	1.65	.23	.23	.43	2.63	2.16
HBV-M02	3/8	.35	1.41	1.65	.23	.23	.49	2.63	2.16
HBV-M03	1/2	.35	1.41	1.65	.23	.23	.59	3.37	2.08
HBV-M04	3/4	.43	1.65	1.96	.23	.23	.78	3.77	2.35
HBV-M05	1	.43	1.65	1.96	.23	.27	.98	4.21	2.55
HBV-M06	1-1/4	.55	1.96	2.75	.27	.36	1.25	4.37	2.97
HBV-M07	1-1/2	.55	1.96	2.75	.27	.36	1.49	5.07	3.36
HBV-M08	2	.66	2.75	4.01	.36	.44	1.96	6.10	4.24



© = CRITICAL DIMENSION
 STANDARD TOLERANCES UNLESS NOTED:
 ALL DECIMAL DIMENSIONS ± .005
 ALL ANGLES ± 1°

NO.		DATE		NAME		HBV SERIES 3-PIECE ALLOY-C BALL VALVES	MATERIAL FINISH
		DWN BY					
		CHKD					
		APPD					
CHANGES		BY/DATE		ACAD2002		FR. NO.	
				3		DWYER INSTRUMENTS, INC. MICHIGAN CITY, INDIANA 46360 U.S.A.	

NOTICE: This drawing and the principles and elements of design embodied therein are the exclusive property of DWYER INSTRUMENTS, INC. and are not to be communicated, disclosed, reproduced or used except as previously authorized in writing by such corporation and must not be submitted to outside parties for examination without the written consent of said corporation.