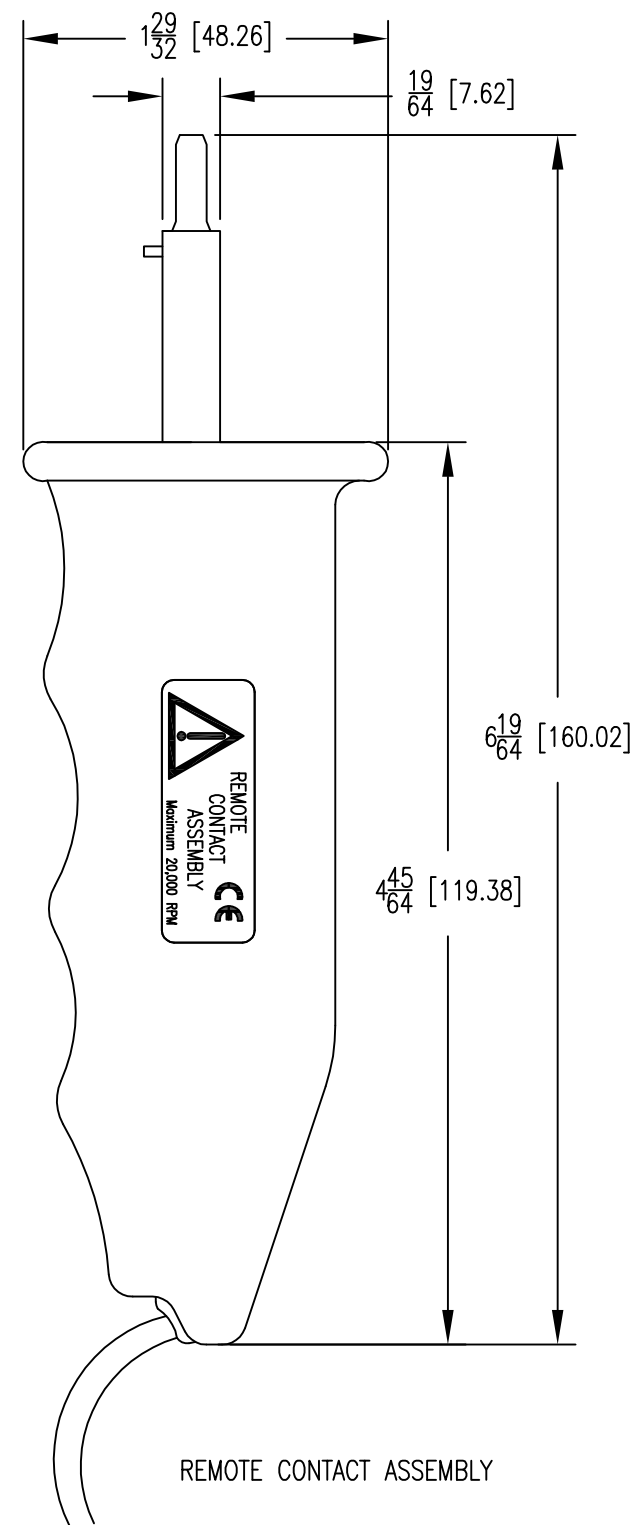
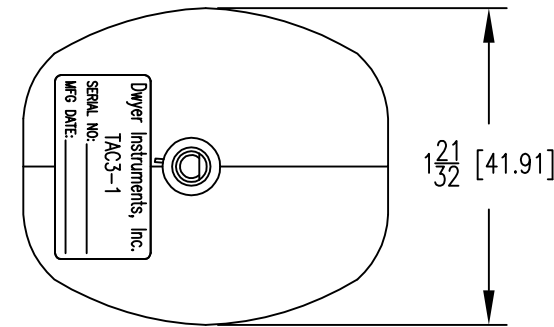
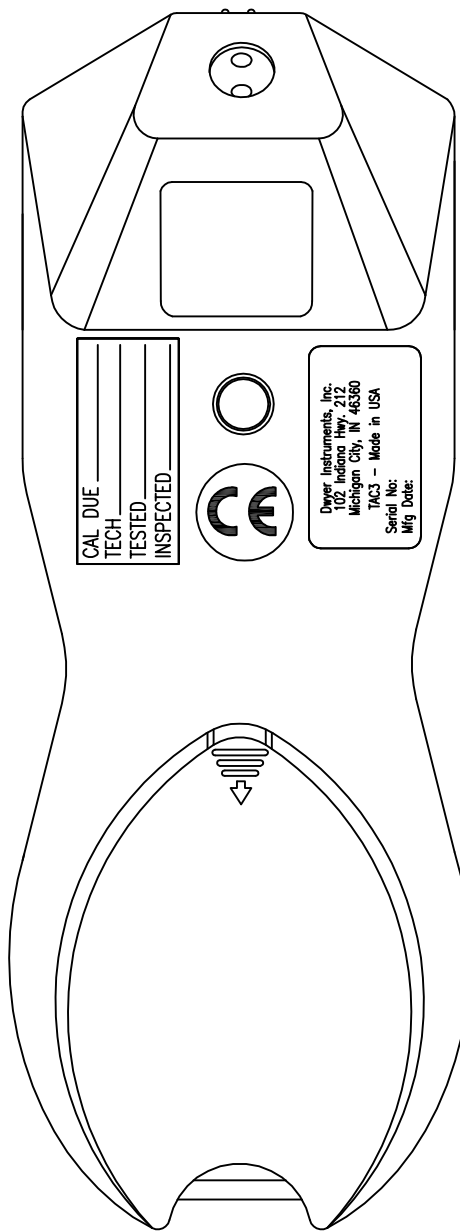
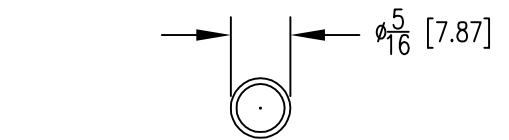


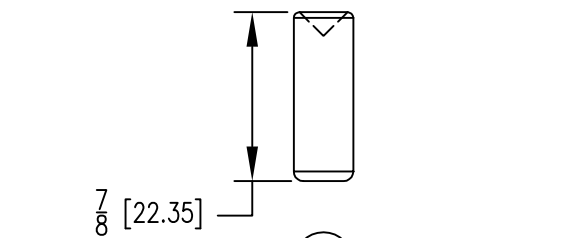
TAC3



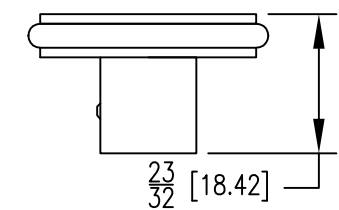
REMOTE CONTACT ASSEMBLY



CONCAVE CONTACT TIP



CONVEX CONTACT TIP



10 CM CONTACT WHEEL

Ⓢ = CRITICAL DIMENSION
STANDARD TOLERANCES UNLESS NOTED:
ALL DECIMAL DIMENSIONS ± .005
ALL ANGLES ± 1°

SCALE 1:1

| | | | | |
|-----|---------|---------|---|---|
| | | DATE | NAME | MATERIAL |
| | | DWN BY | TAC3 SERIES POCKET LASER TACHOMETER | FINISH |
| | | CHKD | | DWYER INSTRUMENTS, INC. MICHIGAN CITY, INDIANA 46360 U.S.A. |
| | | APPD | | |
| NO. | CHANGES | BY/DATE | | |
| | | | ACAD2002 | 3 |

NOTICE: This drawing and the principles and elements of design embodied therein are the exclusive property of DWYER INSTRUMENTS, INC. and are not to be communicated, disclosed, reproduced or used except as previously authorized in writing by such corporation and must not be submitted to outside parties for examination without the written consent of said corporation.