

MODELS	SIZE	SOLENOID	CONNECTION	NUMBER OF DIAPHRAGMS	CV FACTOR (GAL/MIN)
DCS2071D	3/4"	INTEGRAL*	NPT	1	14
DCS200C1D		INTEGRAL*	COUPLING		
DCS2071D	1"	INTEGRAL*	NPT	1	23
DCS256C1D		INTEGRAL*	COUPLING		
DCS2071D	1-1/2"	INTEGRAL*	NPT	1	42
DCS256C1D		INTEGRAL*	COUPLING		
DCS2071D	2"	INTEGRAL*	NPT	TBD	TBD

\*110VAC WITH DIN CONNECTOR

SCALE 1:1

DCS25CXD

CRITICAL DIMENSION  
STANDARD TOLERANCES UNLESS NOTED:  
ALL ANGLES 5°

FINISH

MATERIAL

DCS  
DIAPHRAGM VALVES  
ARTWORK  
(FOR REFERENCE ONLY)

SHEET 1 OF 2

FR. NO.

DWYER INSTRUMENTS, INC.  
MICHIGAN CITY, INDIANA 46360 U.S.A.

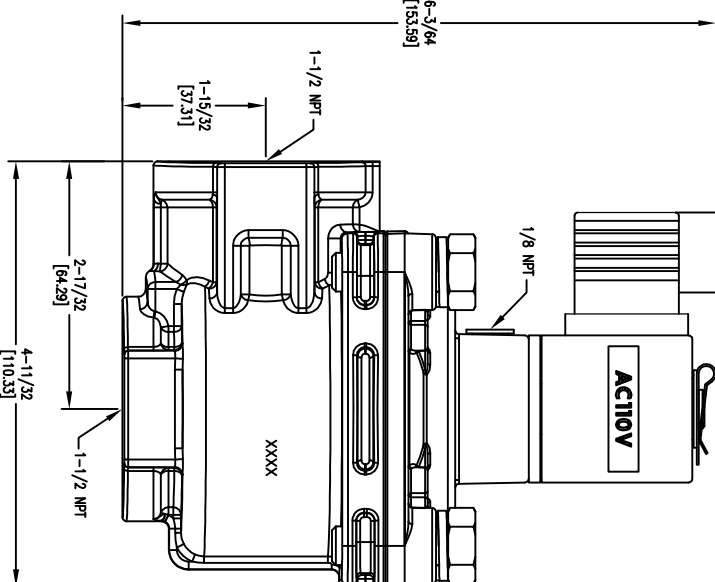
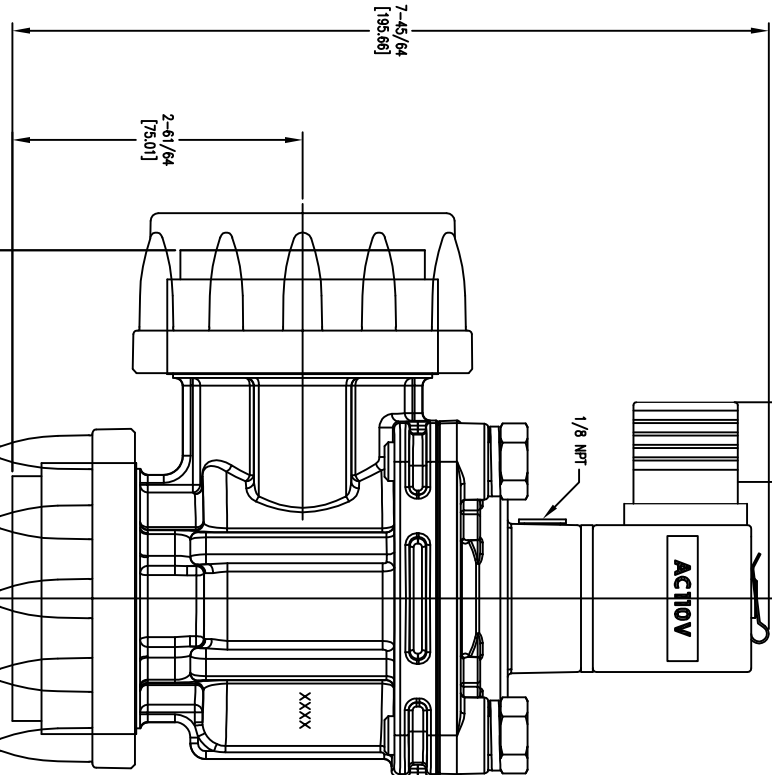
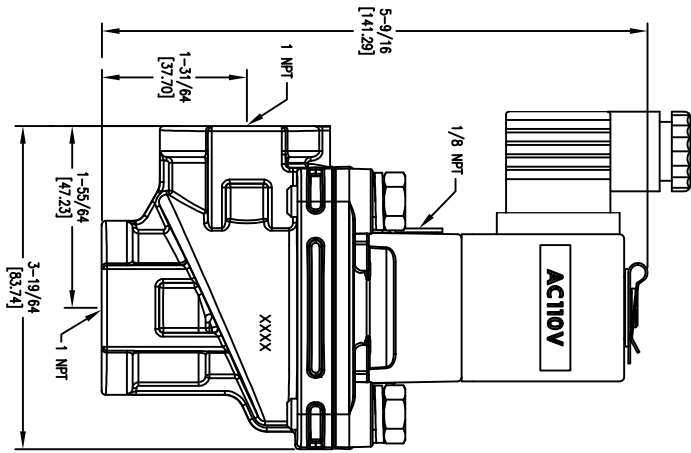
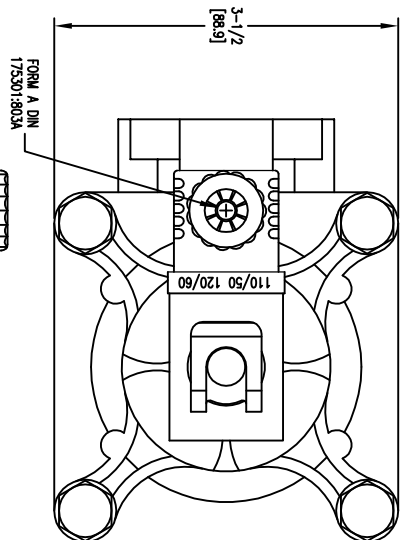
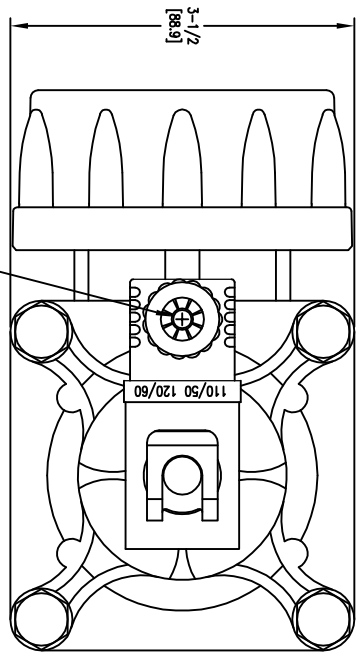
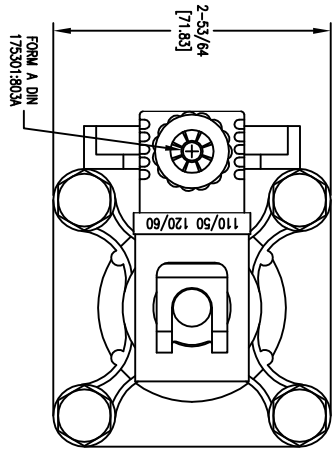
\*\*\* DWYER PURCHASING USE ONLY \*\*\*

FR. Number

Description

Items to be supplied with each order. Quantities plus 20%.  
Items to be supplied in various quantities, vendor to inform DWYER when  
any special additional quantities.

NO.	CHANGES	DATE	BY/DATE	APPRO	NAME
					DWYER BY
					CHKD
					APPRO



\*\*\* DWYER PURCHASING USE ONLY \*\*\*

FR. Number	Description

Items to be supplied with each order. Quantities plus 20%.  
 Items to be supplied in bulked quantities, vendor to inform DWYER when they receive additional quantities.

DATE: \_\_\_\_\_ NAME: \_\_\_\_\_  
 DRAWN BY: \_\_\_\_\_  
 CHECKED: \_\_\_\_\_  
 APP'D: \_\_\_\_\_  
 SCALE: 1:1

DCS DIAPHRAGM VALVES  
 ARTWORK  
 (FOR REFERENCE ONLY)  
 SHEET 2 OF 2  
 DWYER INSTRUMENTS, INC.  
 MICHIGAN CITY, INDIANA 46360 U.S.A.

② - CRITICAL DIMENSION  
 STANDARD TOLERANCES UNLESS NOTED:  
 ALL DIMENSIONS ± .005  
 ALL ANGLES ± .5°